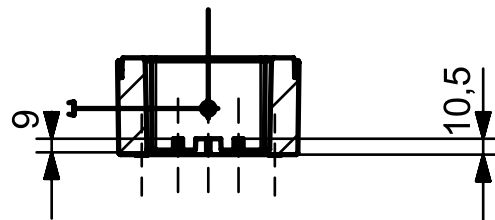
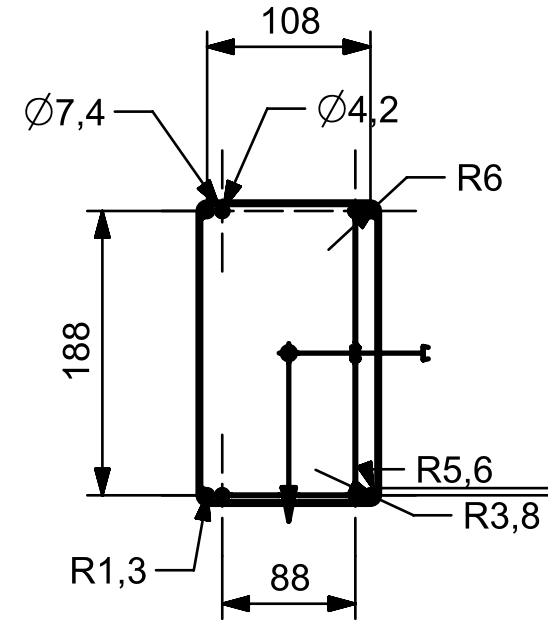
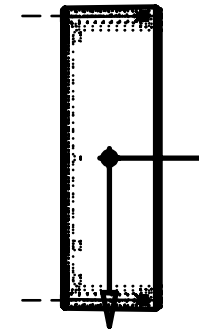
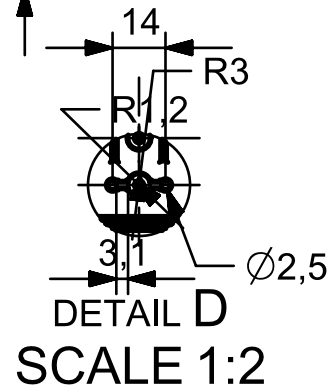
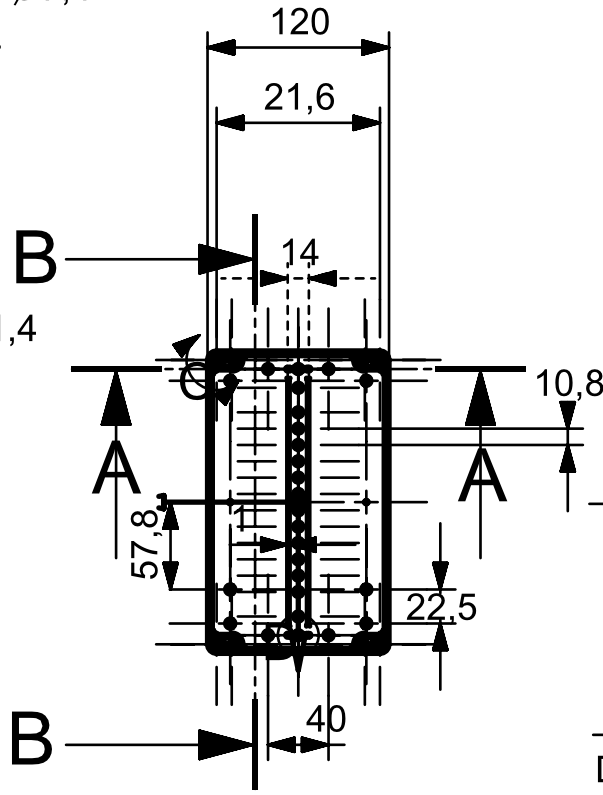
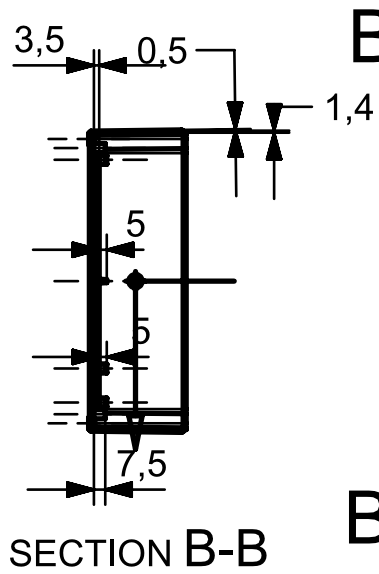
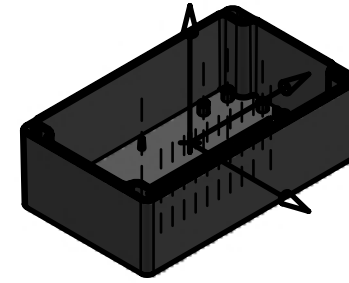
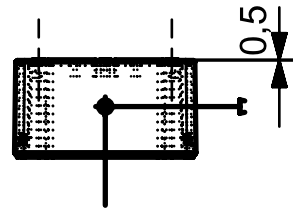
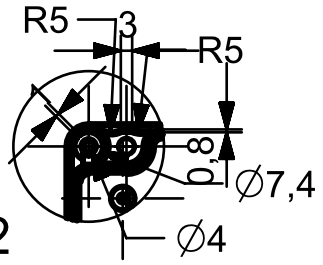
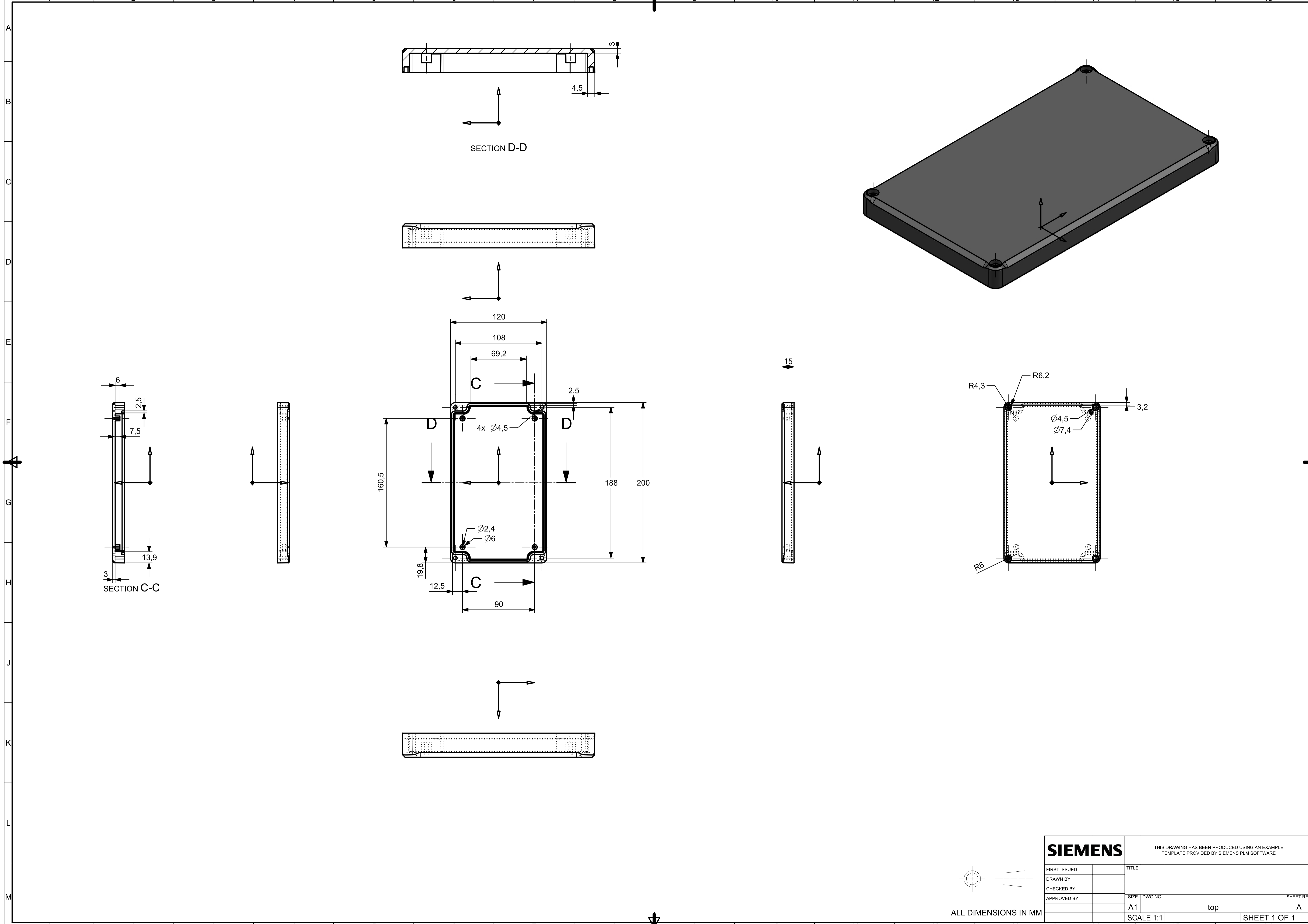


DETAIL C
SCALE 1:2



SECTION A-A



SIEMENS

THIS DRAWING HAS BEEN PRODUCED USING AN EXAMPLE TEMPLATE PROVIDED BY SIEMENS PLM SOFTWARE

FIRST ISSUED		TITLE	
DRAWN BY			
CHECKED BY			
APPROVED BY		SIZE DWG NO.	SHEET REV
		A1	top A
		SCALE 1:1	SHEET 1 OF 1

ALL DIMENSIONS IN MM