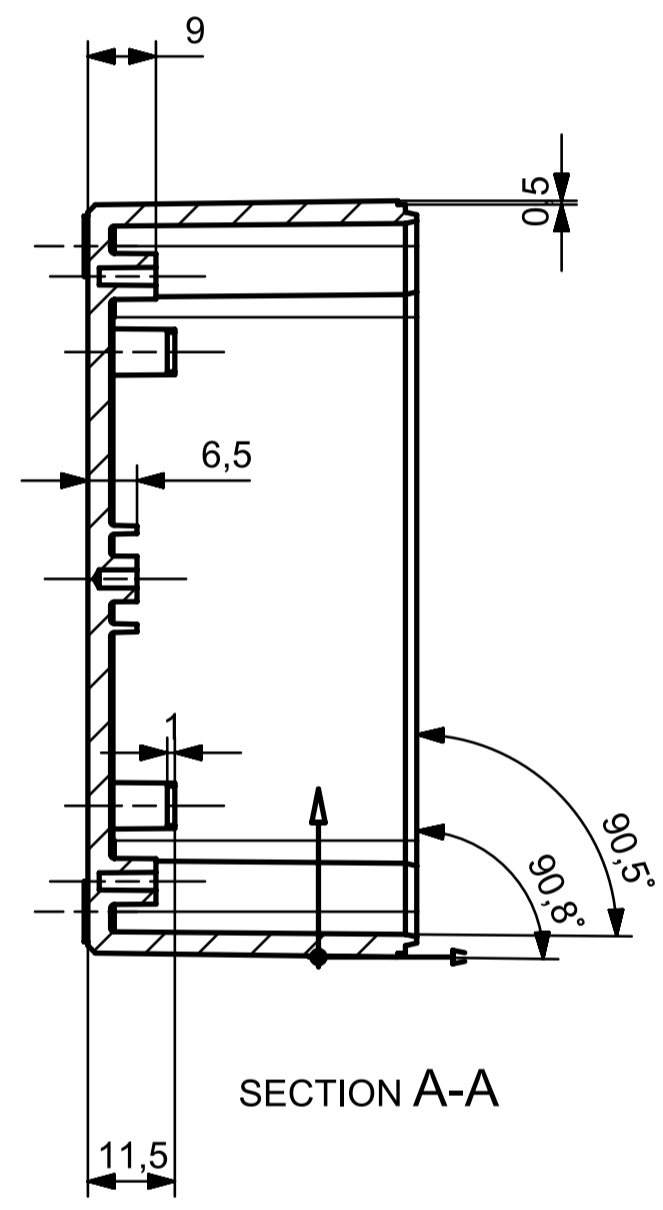
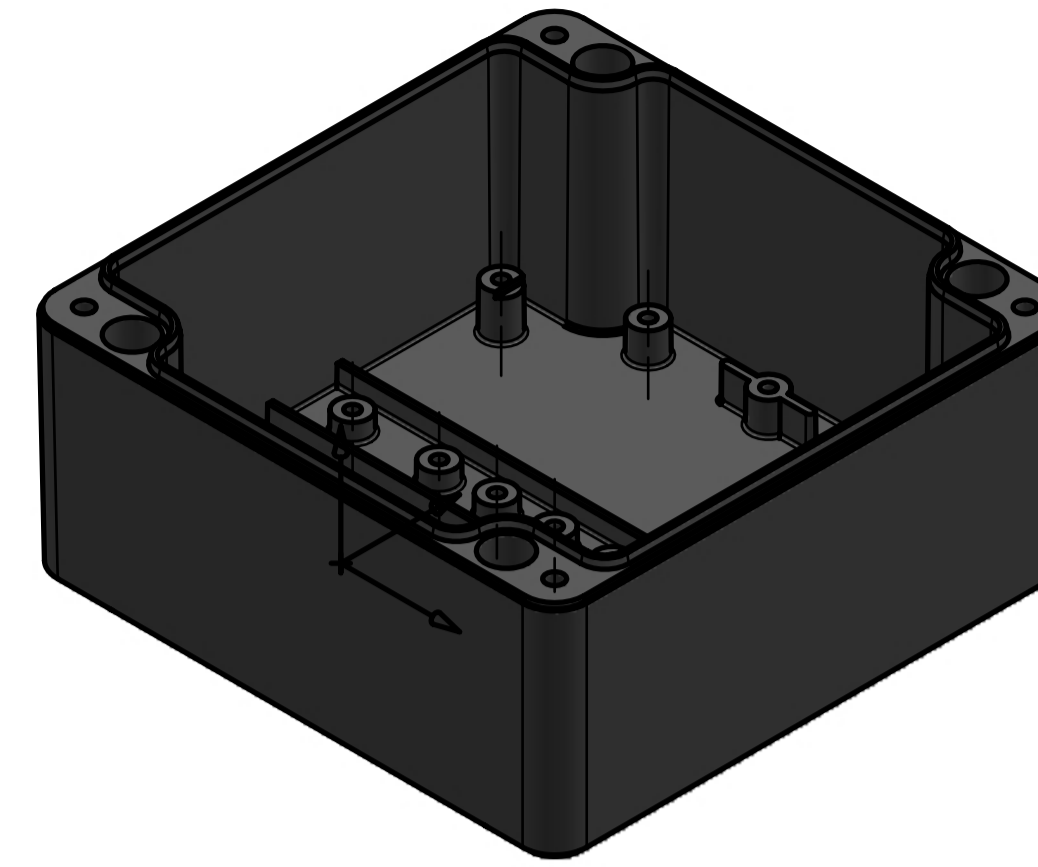
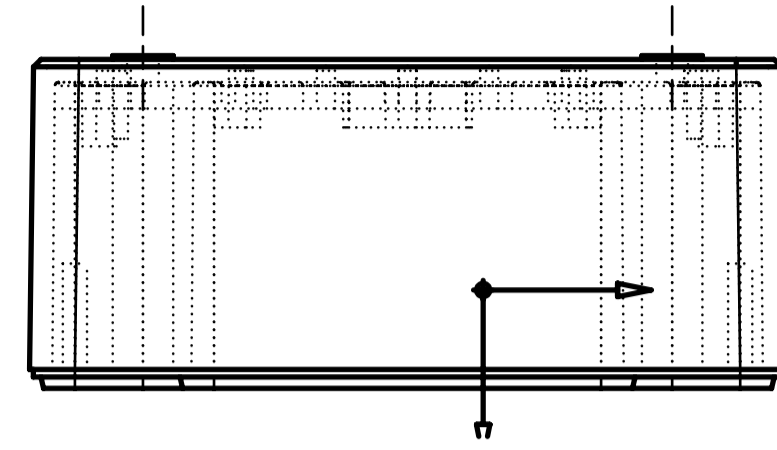
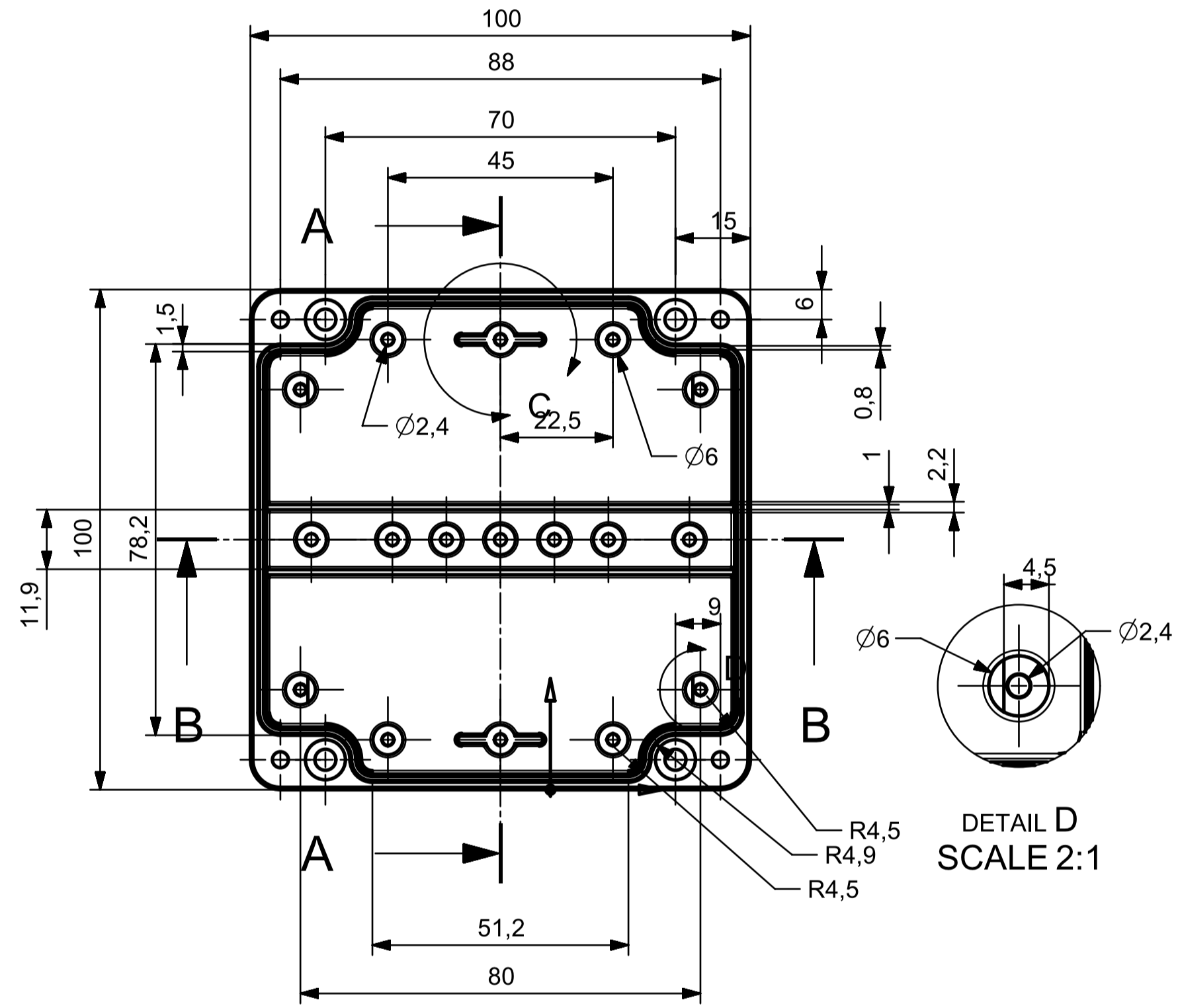


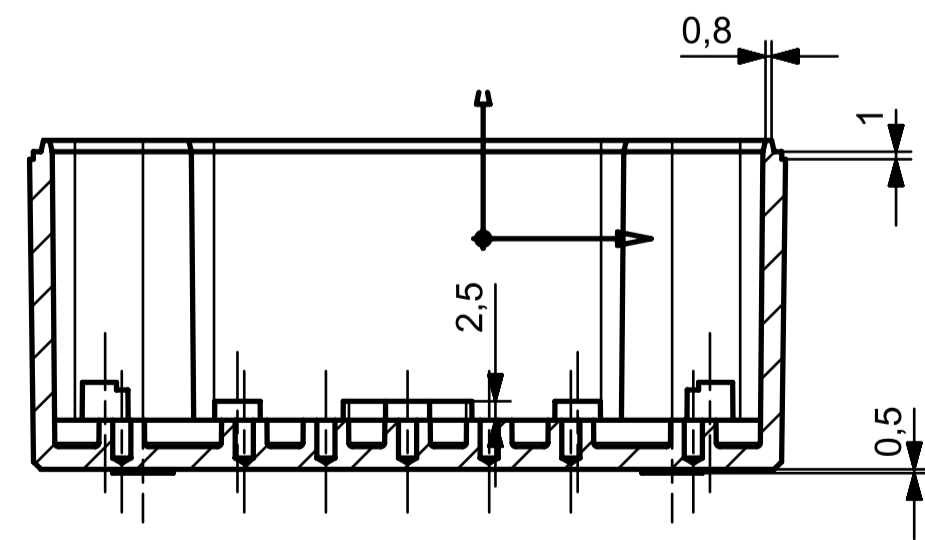
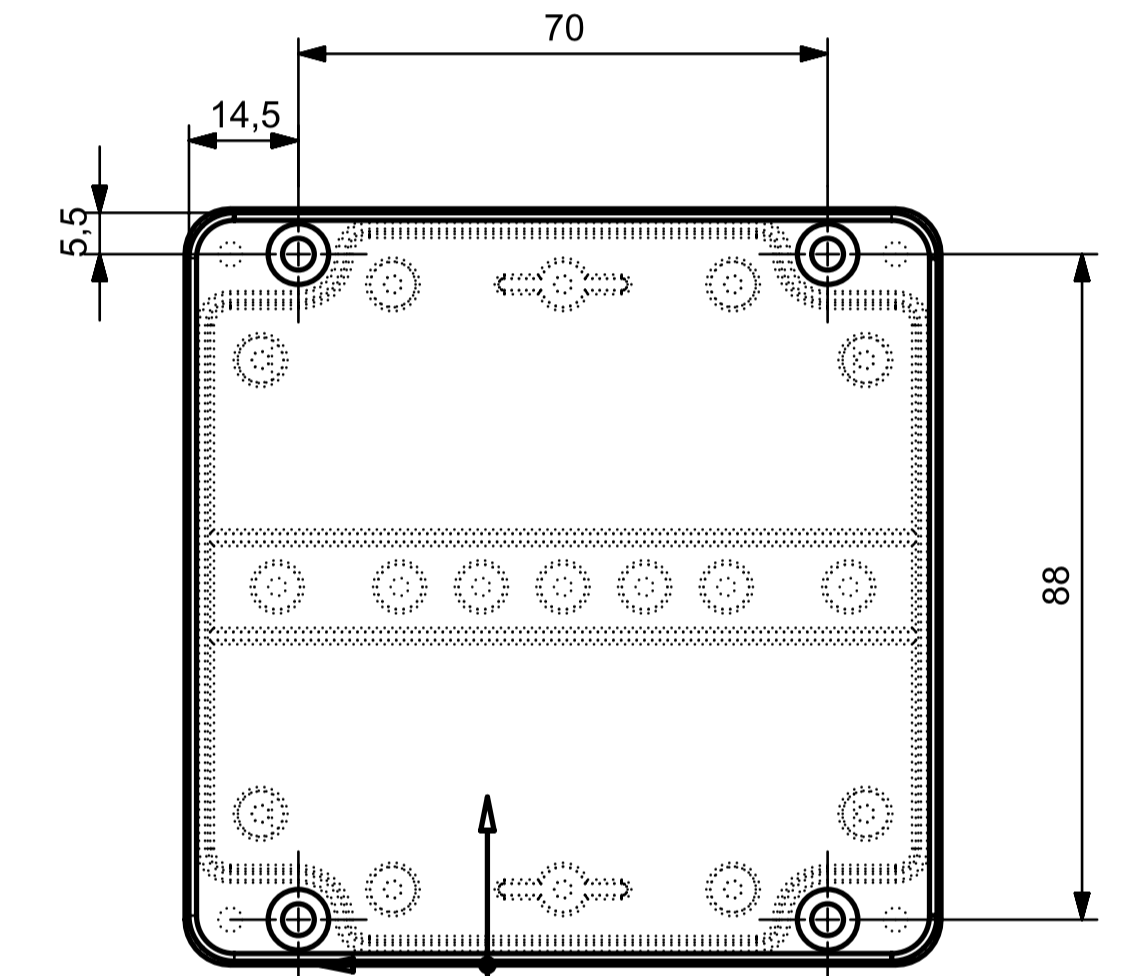
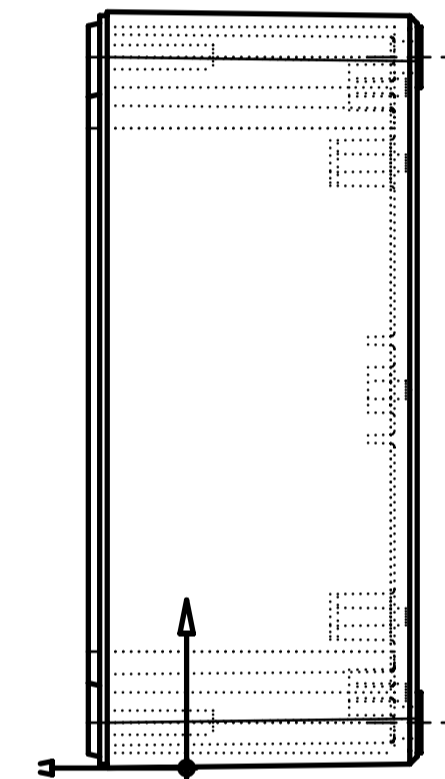
DETAIL C  
SCALE 2:1



SECTION A-A



DETAIL D  
SCALE 2:1



SECTION B-B

**SIEMENS**

THIS DRAWING HAS BEEN PRODUCED USING AN EXAMPLE  
TEMPLATE PROVIDED BY SIEMENS PLM SOFTWARE

FIRST ISSUED		TITLE	
DRAWN BY			
CHECKED BY			
APPROVED BY		SIZE DWG NO.	SHEET REV
		A1 8	A
		SCALE 1:1	SHEET 1 OF 1

ALL DIMENSIONS IN MM

