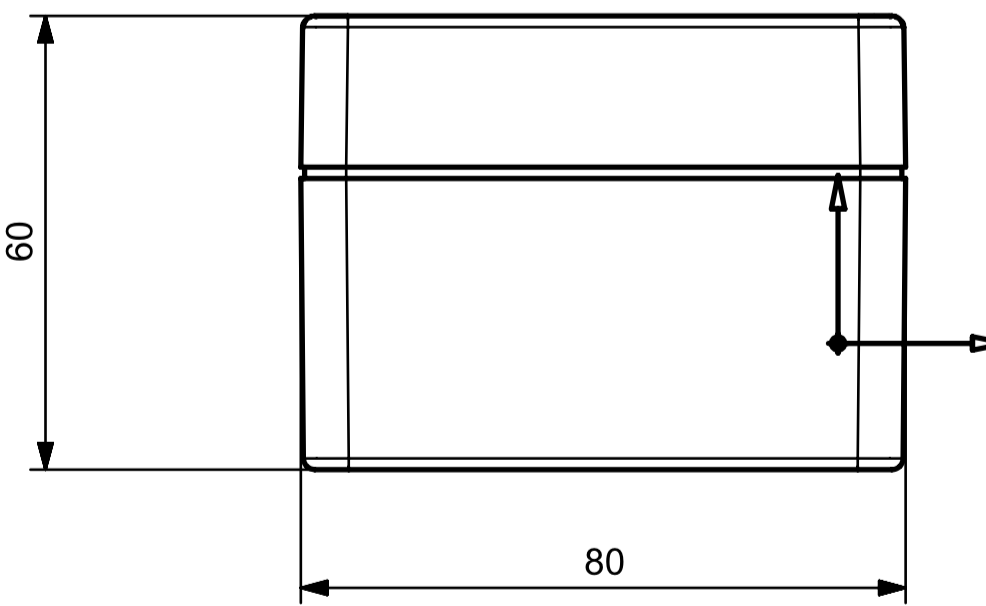
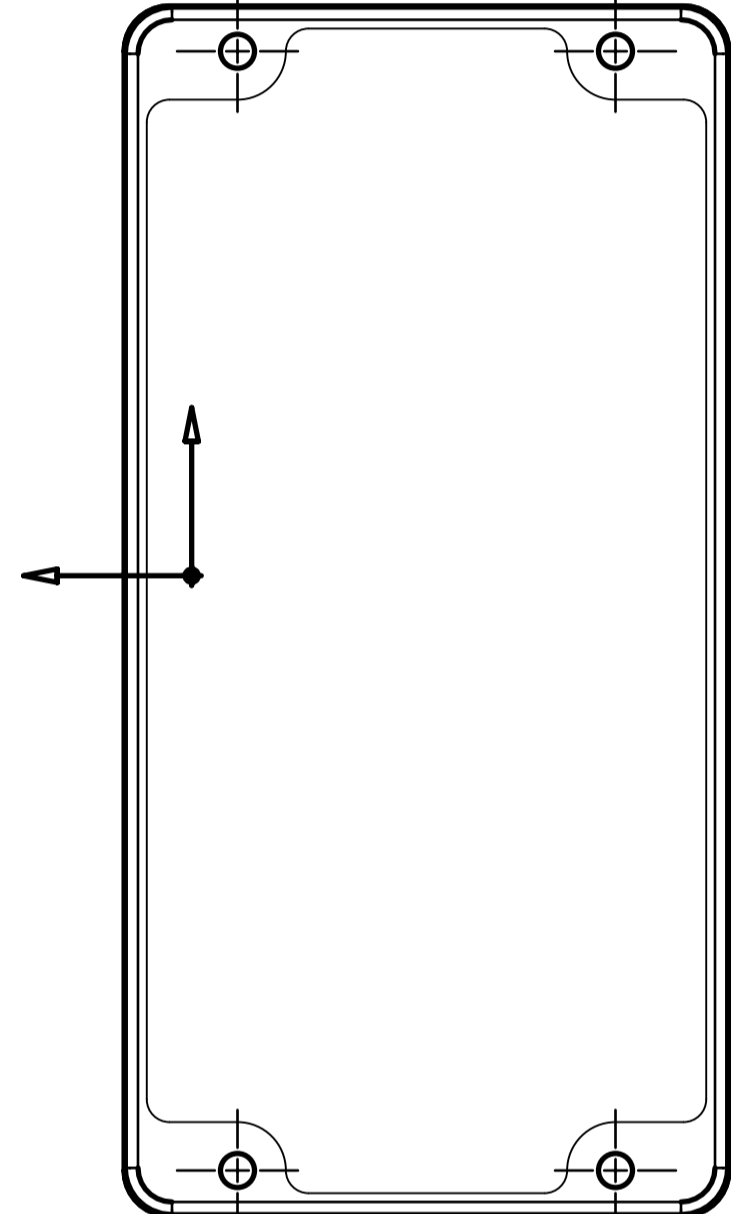
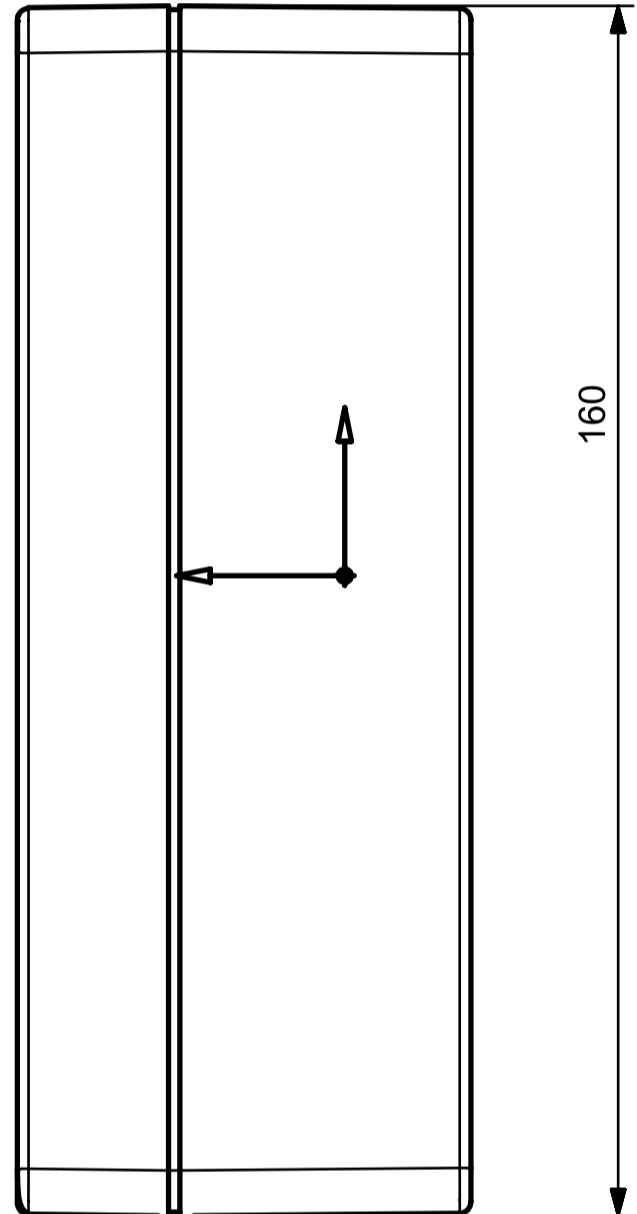
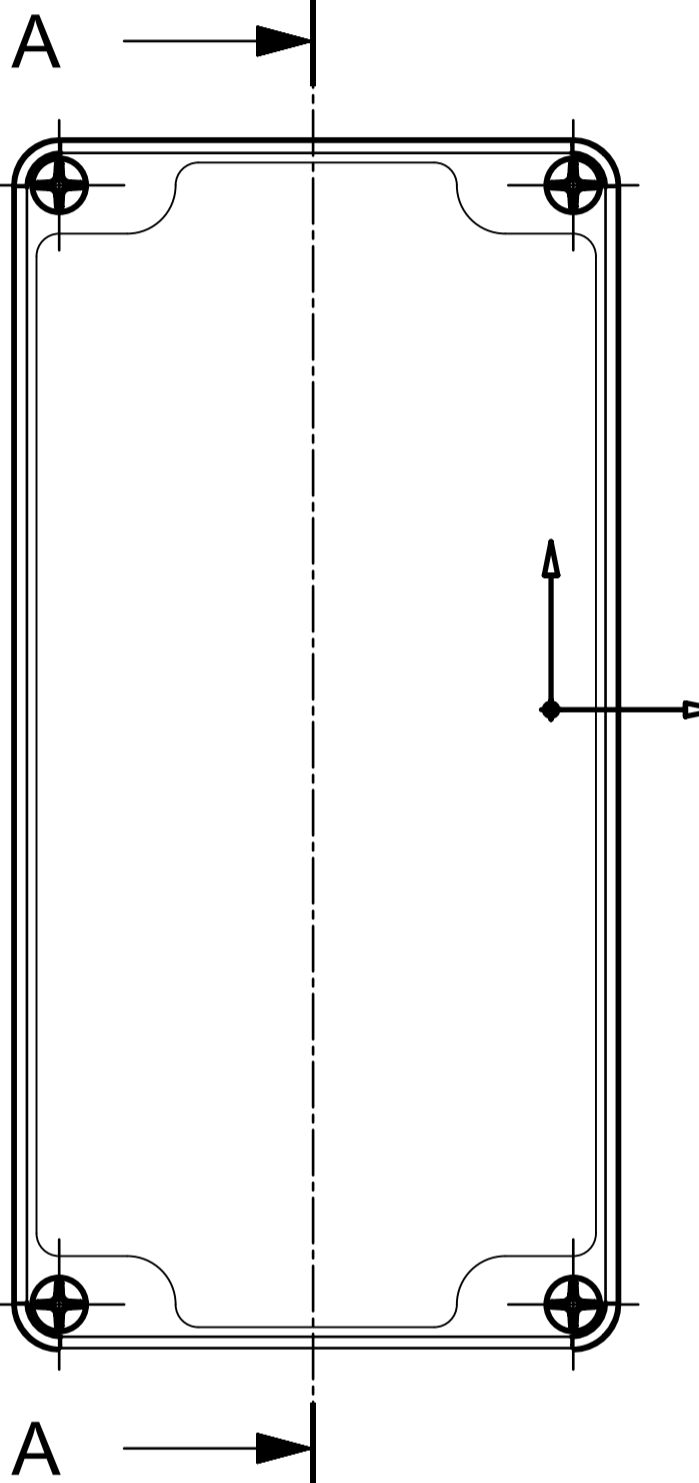
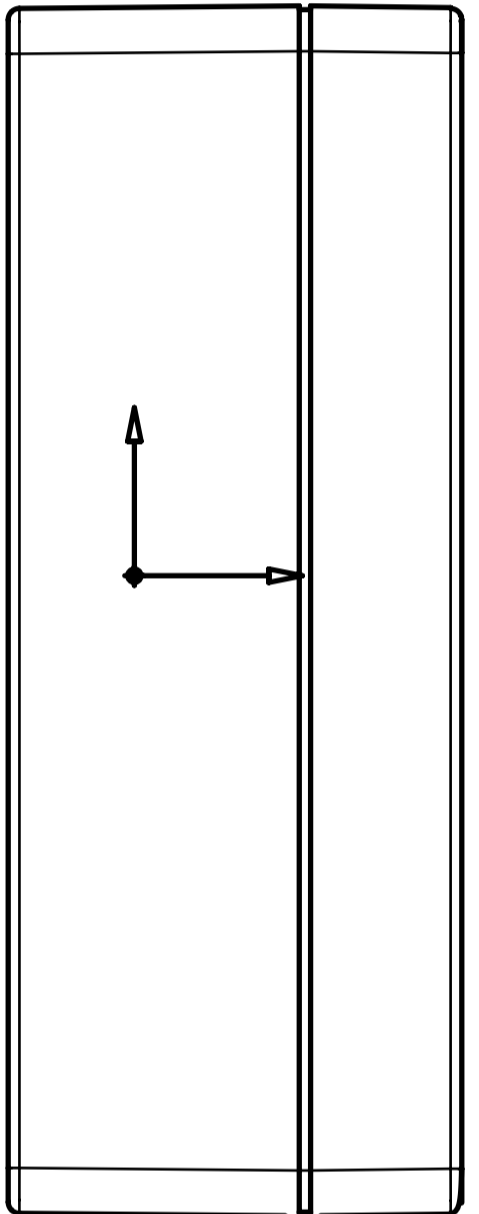
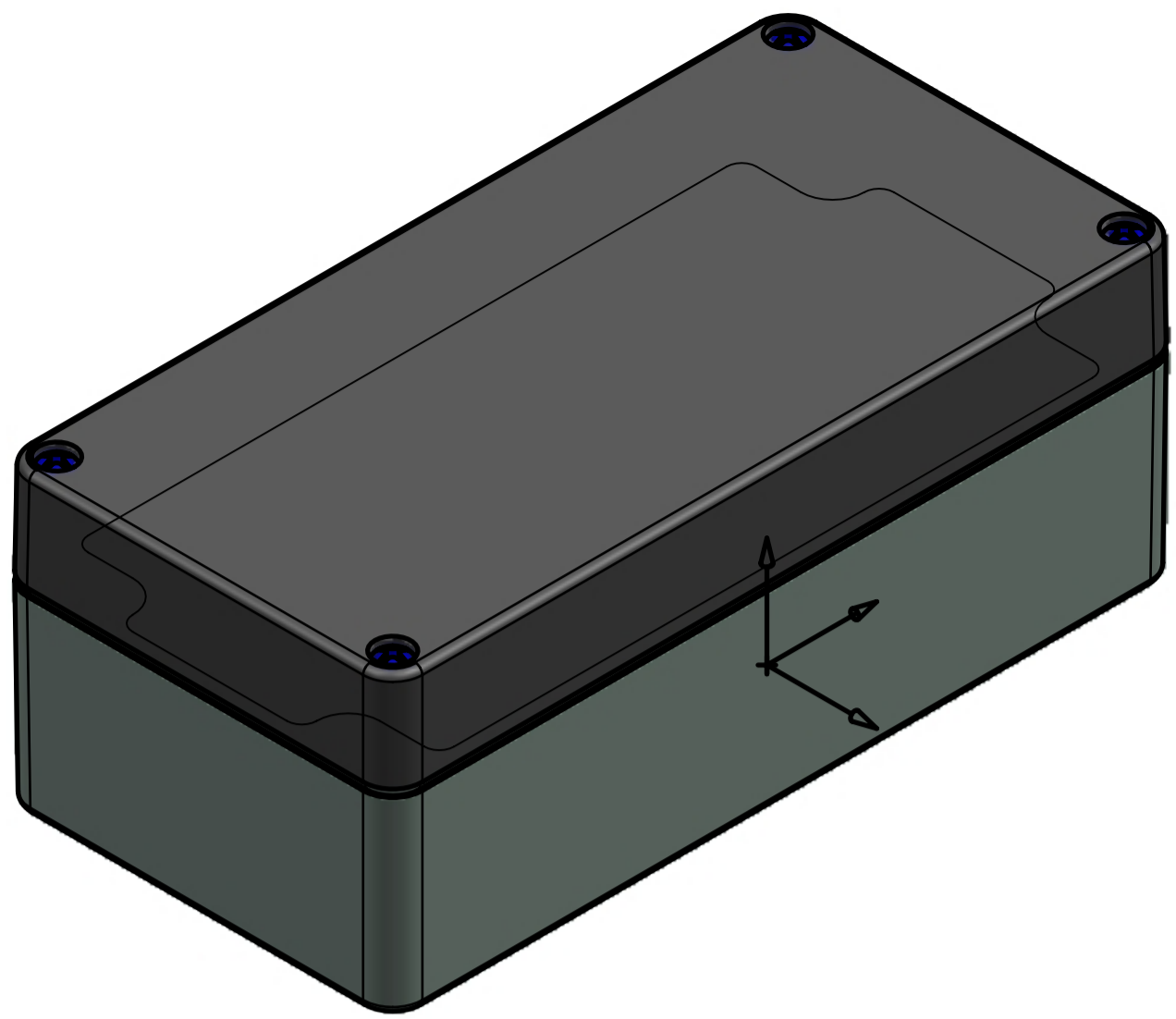
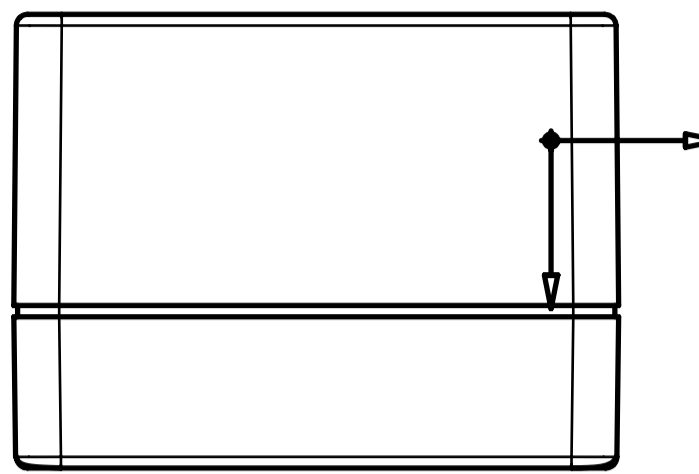
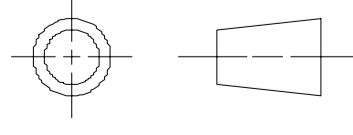


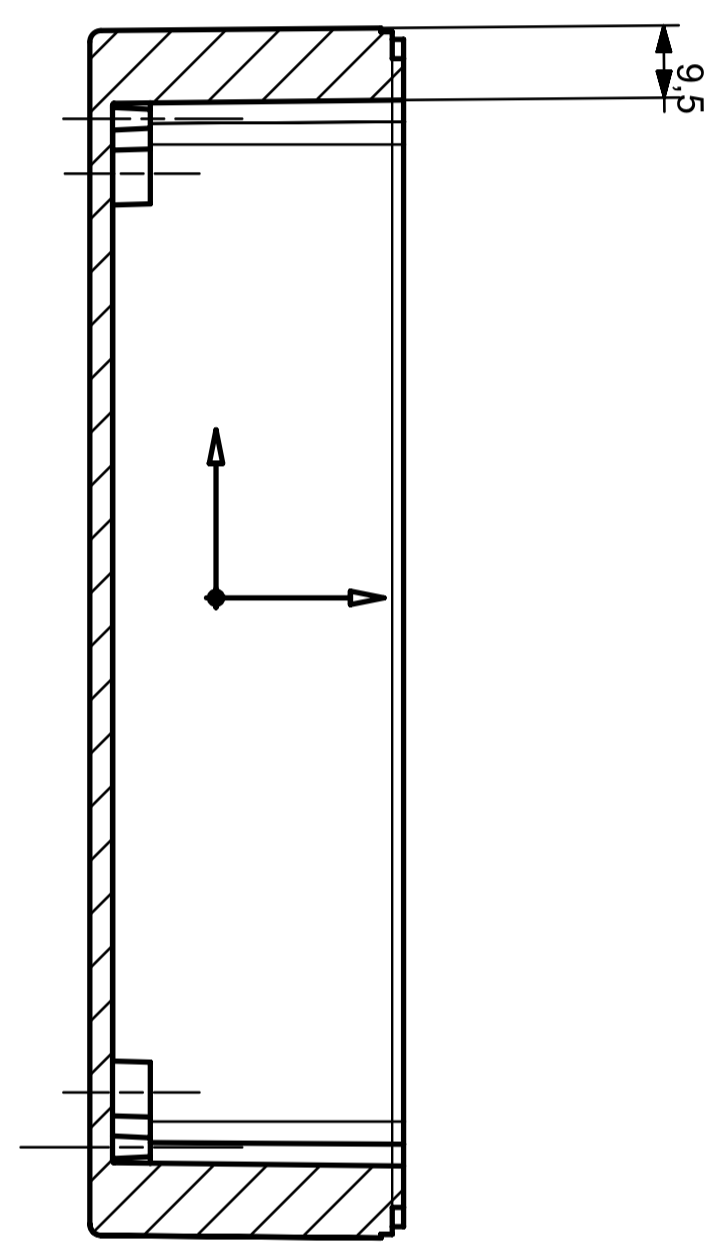
SECTION A-A



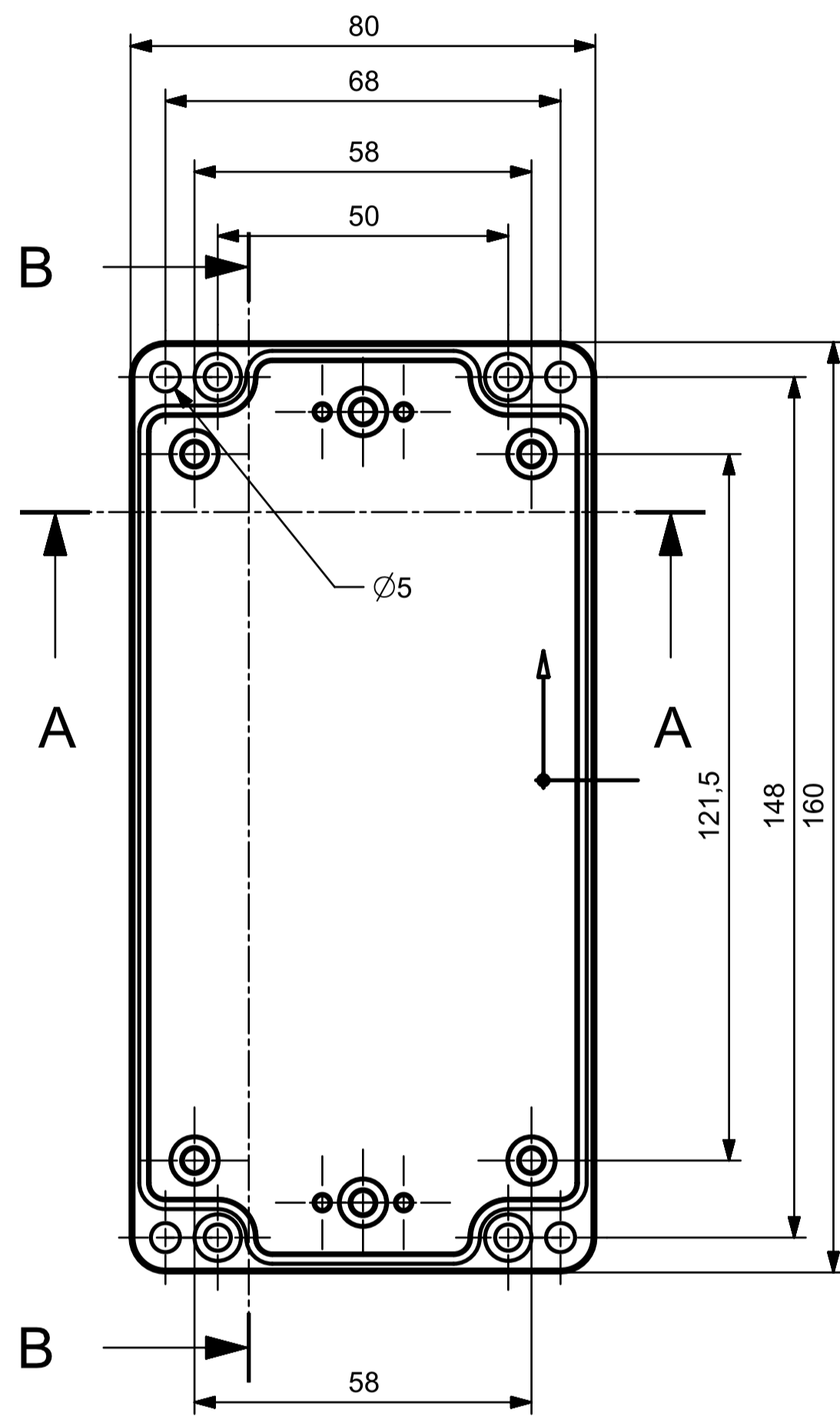
SIEMENS		THIS DRAWING HAS BEEN PRODUCED USING AN EXAMPLE TEMPLATE PROVIDED BY SIEMENS PLM SOFTWARE	
FIRST ISSUED		TITLE	
DRAWN BY			
CHECKED BY			
APPROVED BY		SIZE DWG NO.	
		A1	6
		SCALE 1:1	SHEET 1 OF 1



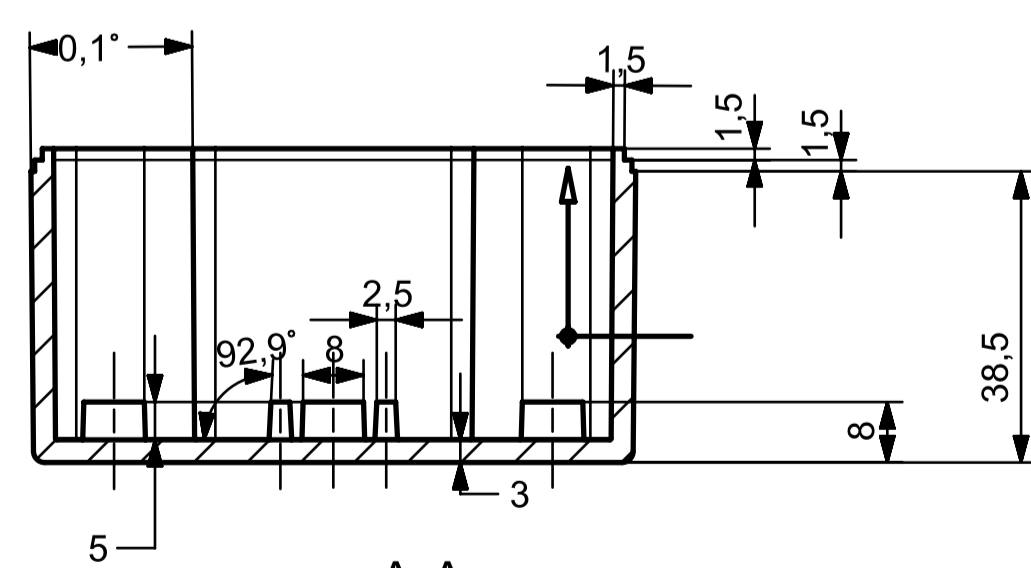
ALL DIMENSIONS IN MM



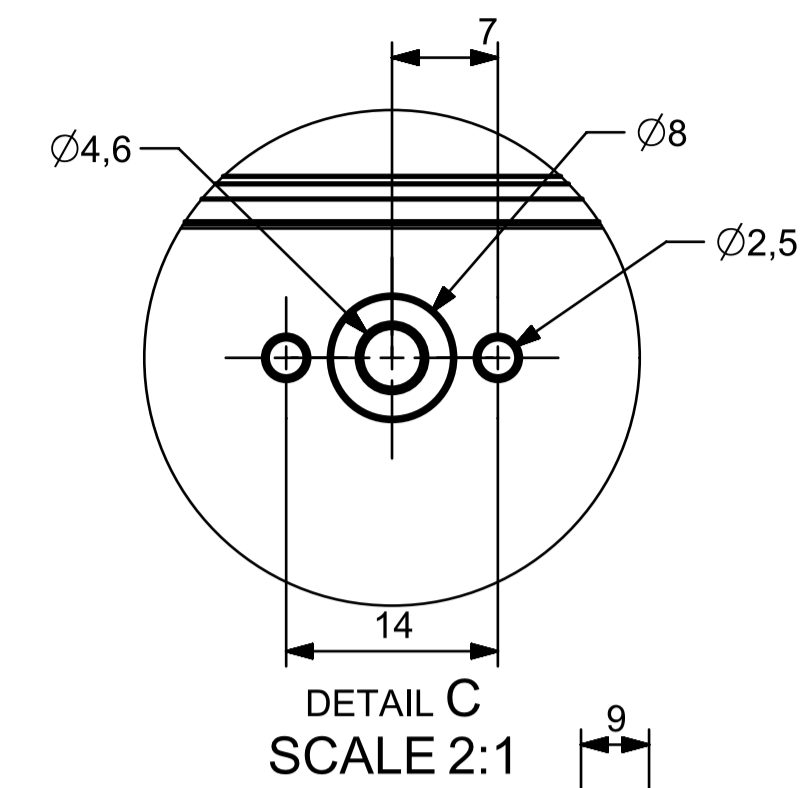
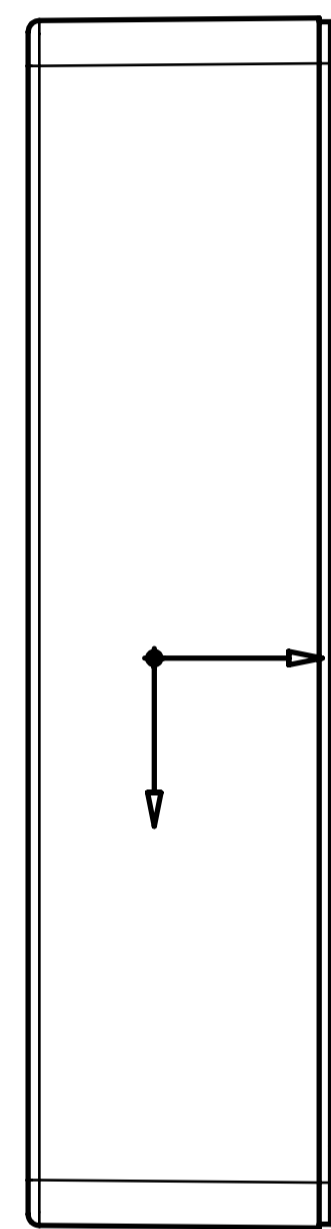
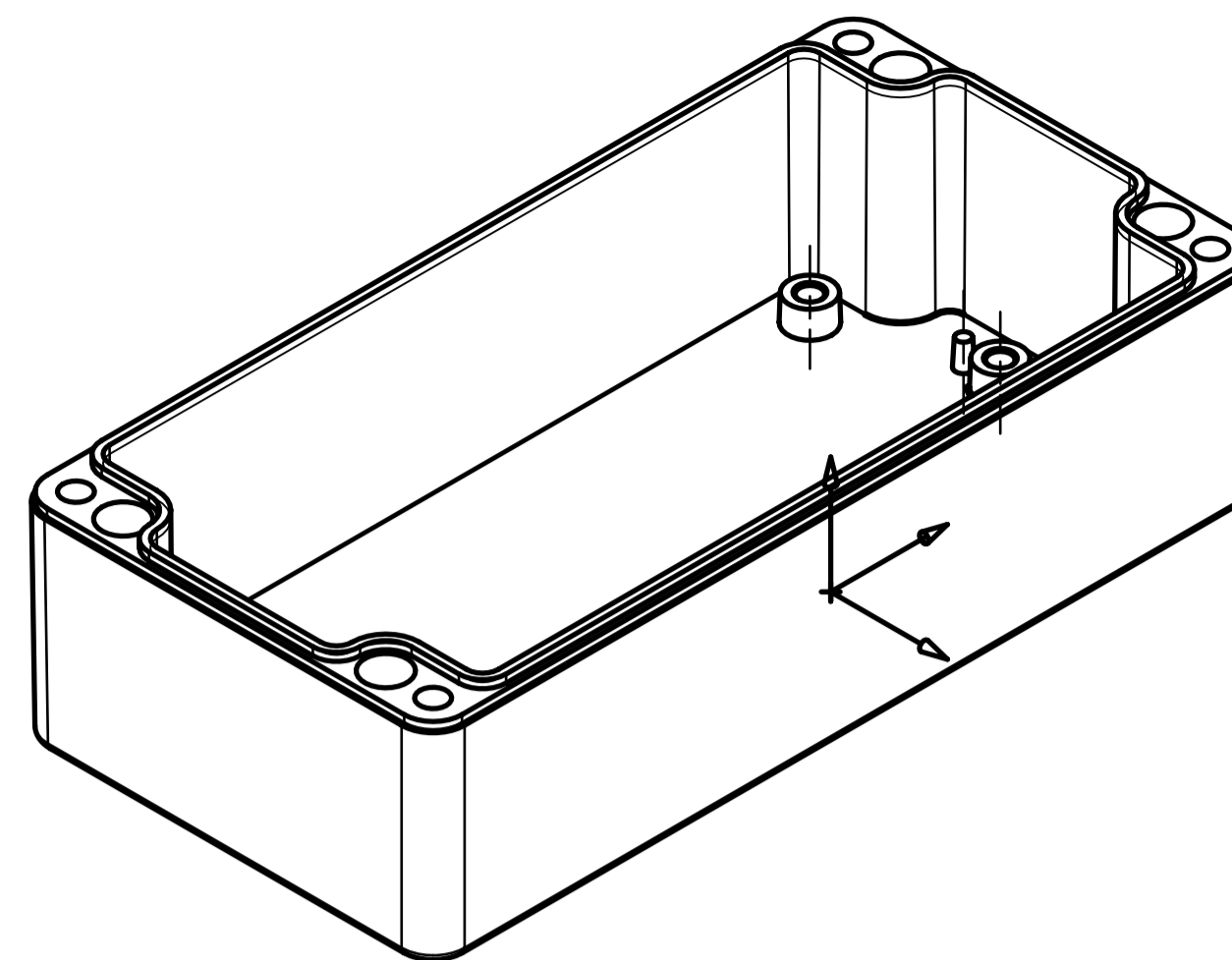
SECTION B-B



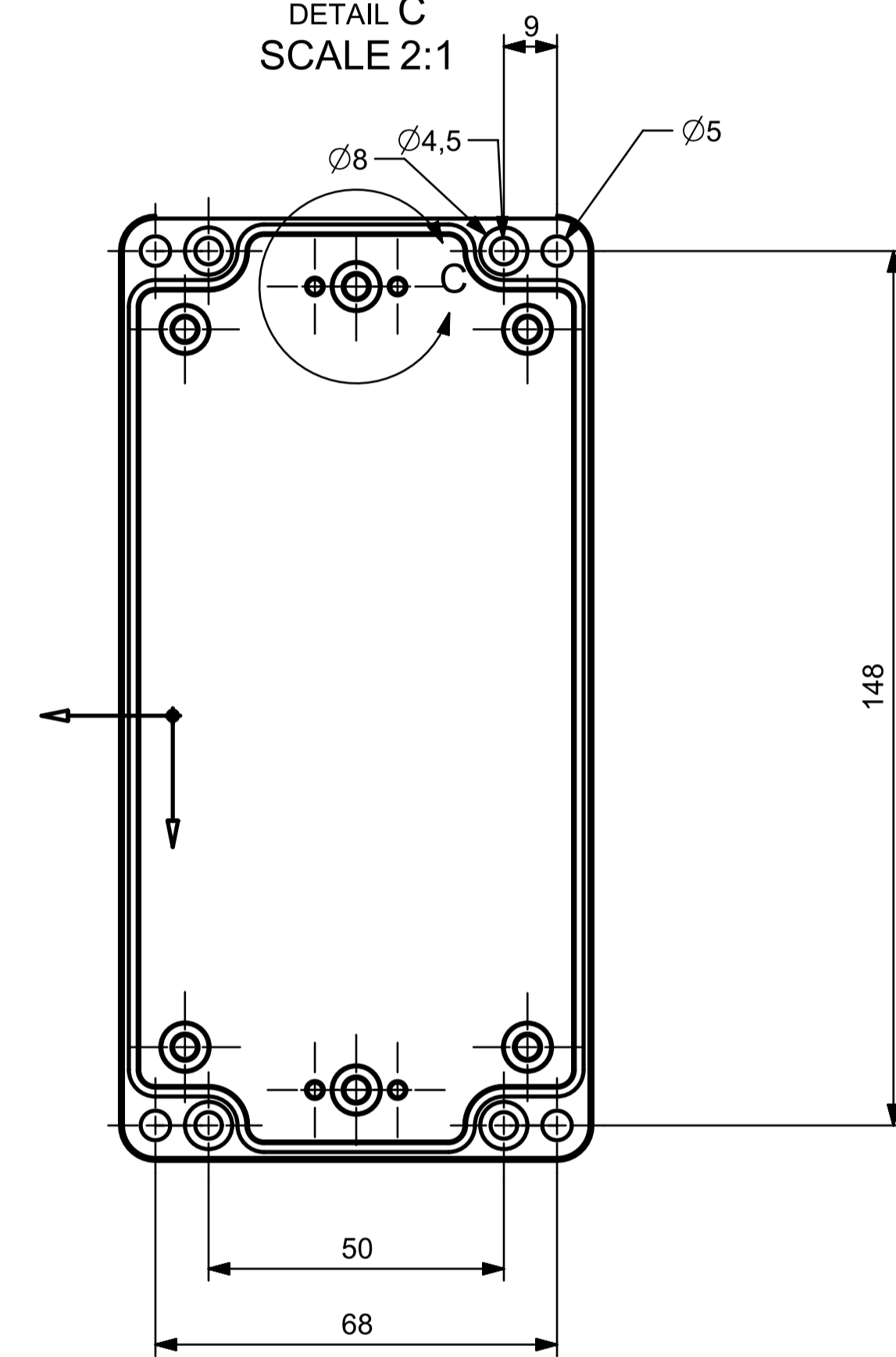
B



SECTION A-A

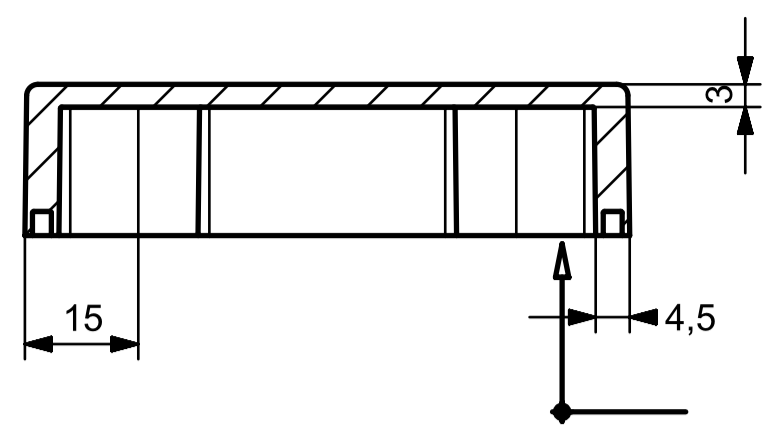
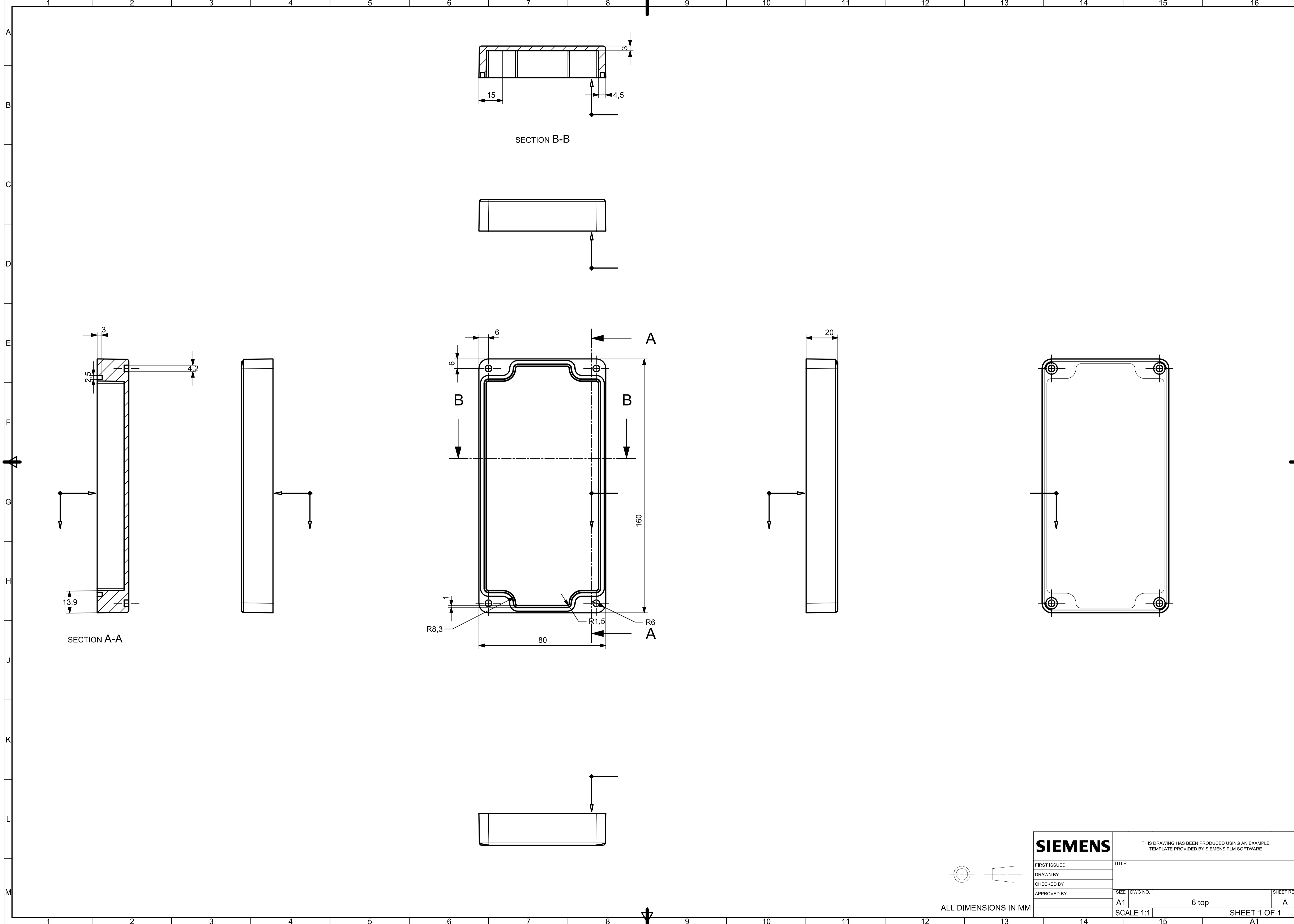


DETAIL C
SCALE 2:1

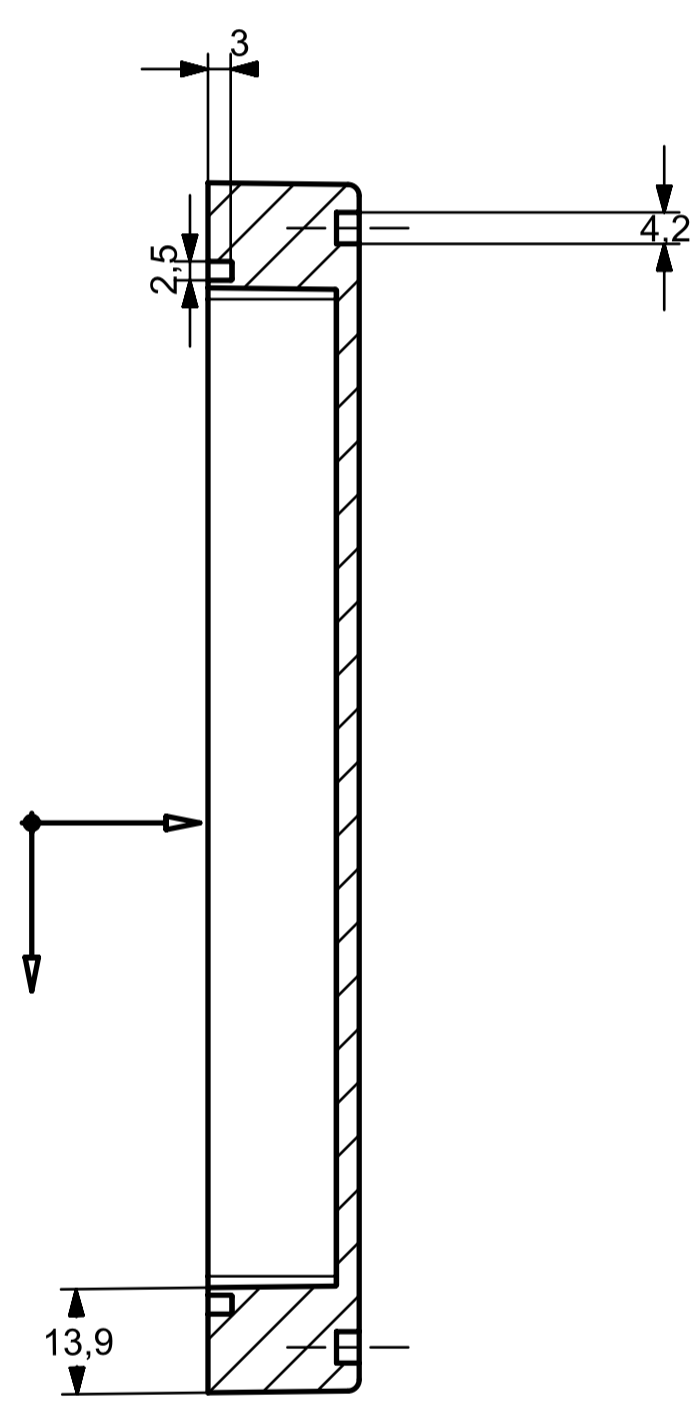
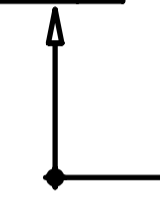
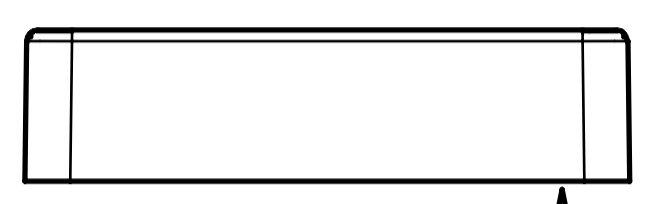


SIEMENS		THIS DRAWING HAS BEEN PRODUCED USING AN EXAMPLE TEMPLATE PROVIDED BY SIEMENS PLM SOFTWARE	
FIRST ISSUED		TITLE	
DRAWN BY		SIZE	DWG NO.
CHECKED BY		A1	6 bottom
APPROVED BY		SCALE 1:1	SHEET REV A
			SHEET 1 OF 1

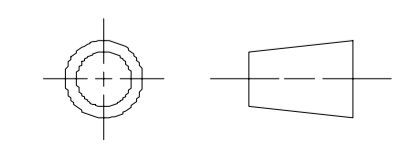
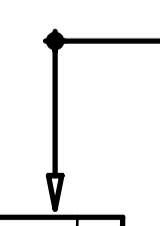
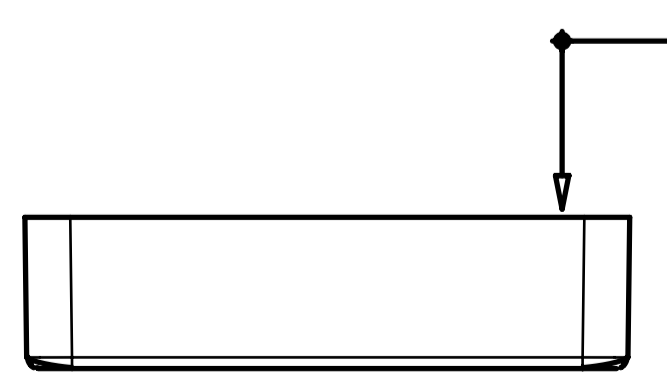
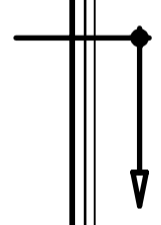
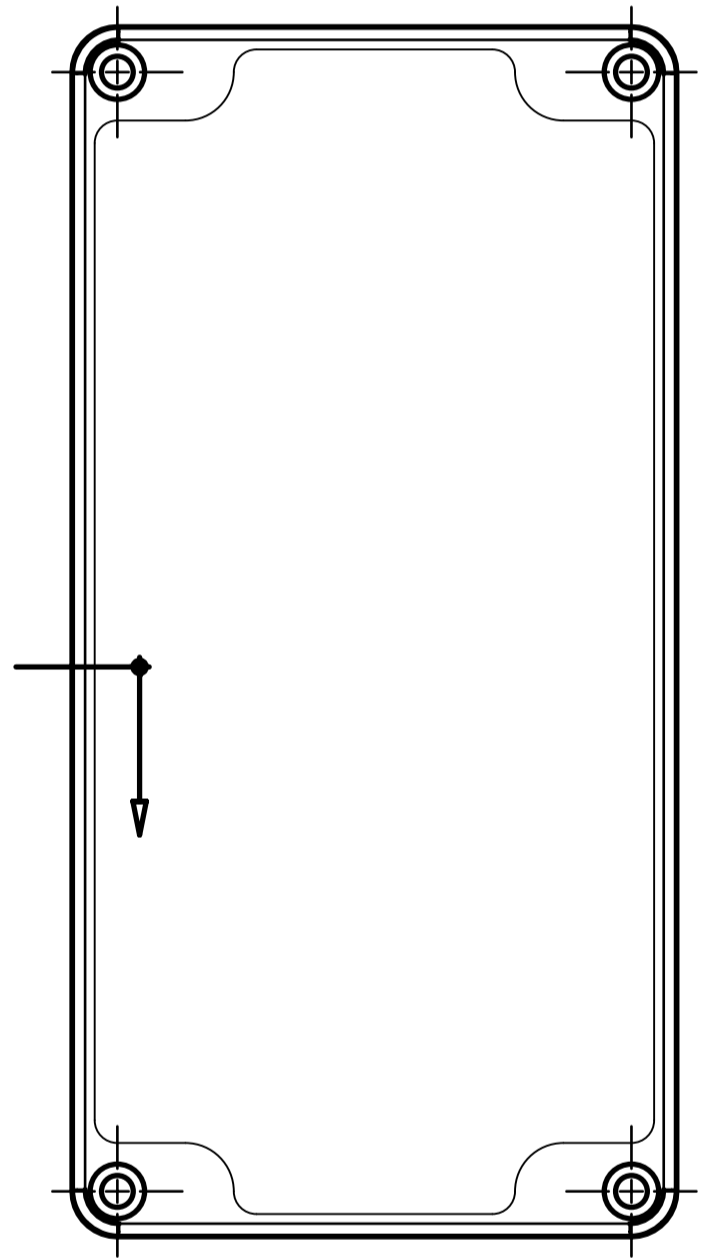
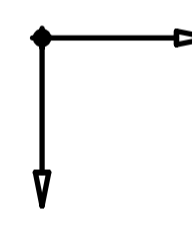
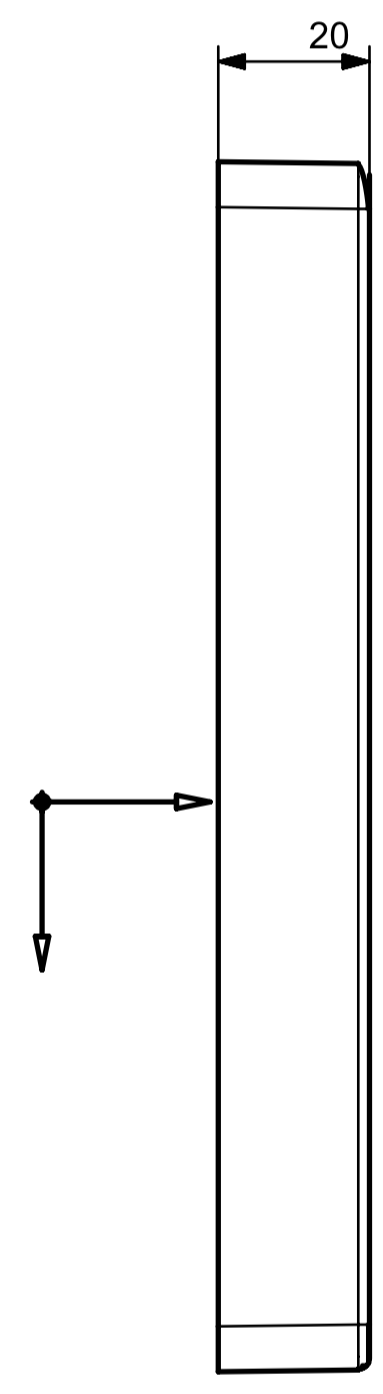
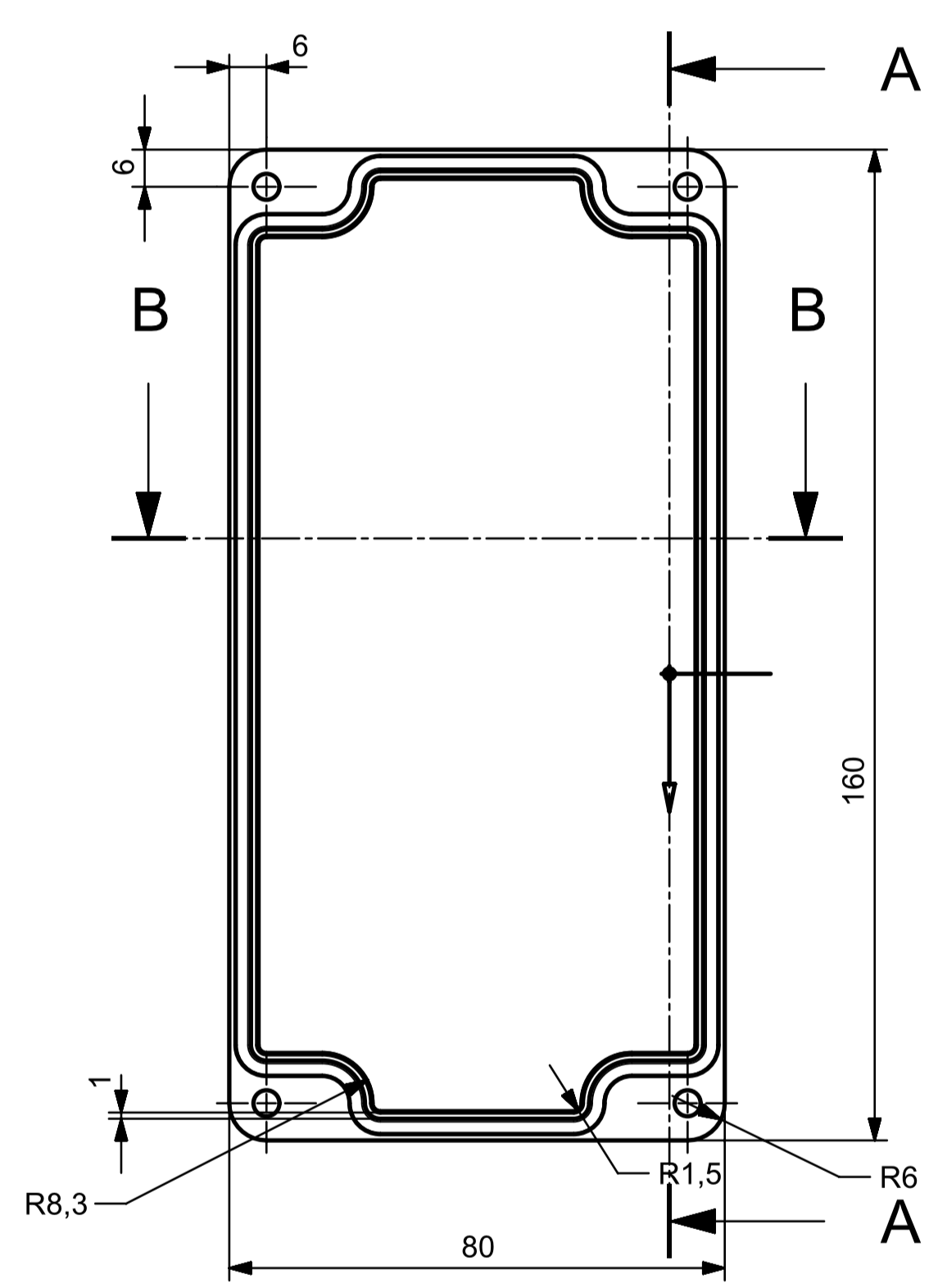
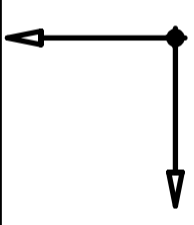
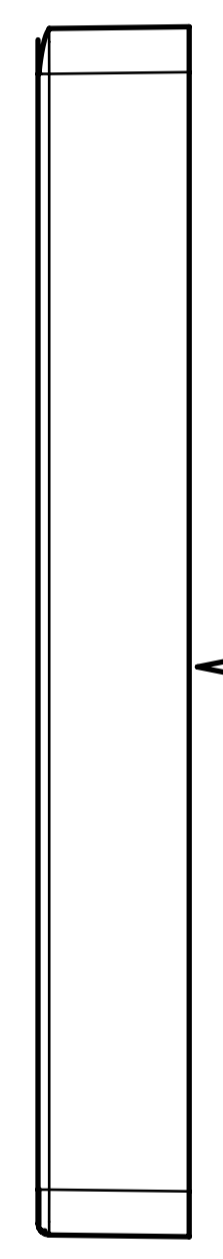
ALL DIMENSIONS IN MM



SECTION B-B



SECTION A-A



ALL DIMENSIONS IN MM

SIEMENS		THIS DRAWING HAS BEEN PRODUCED USING AN EXAMPLE TEMPLATE PROVIDED BY SIEMENS PLM SOFTWARE	
FIRST ISSUED		TITLE	
DRAWN BY			
CHECKED BY			
APPROVED BY		SIZE DWG NO.	SHEET REV
		A1	6 top A
		SCALE 1:1	SHEET 1 OF 1