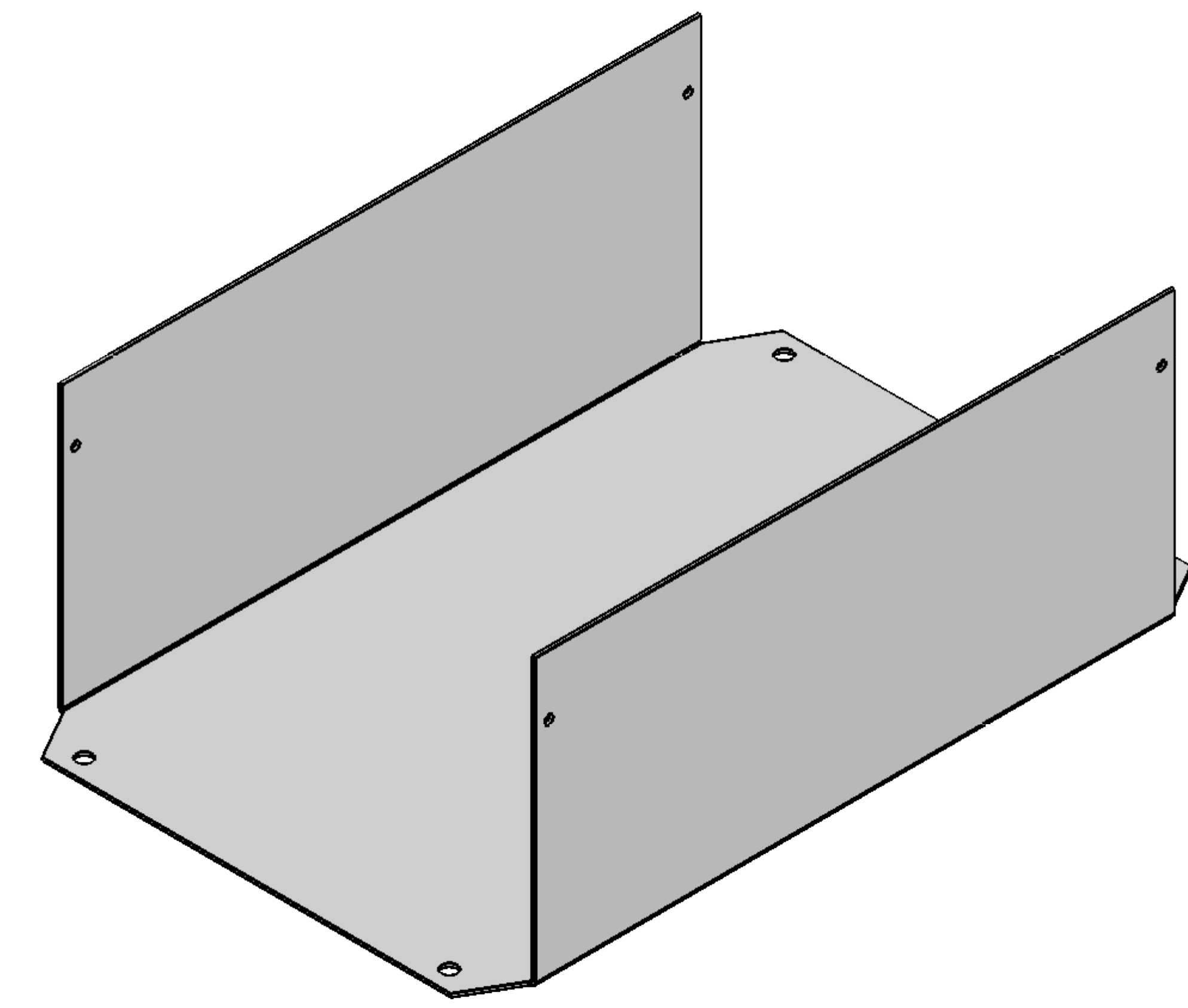
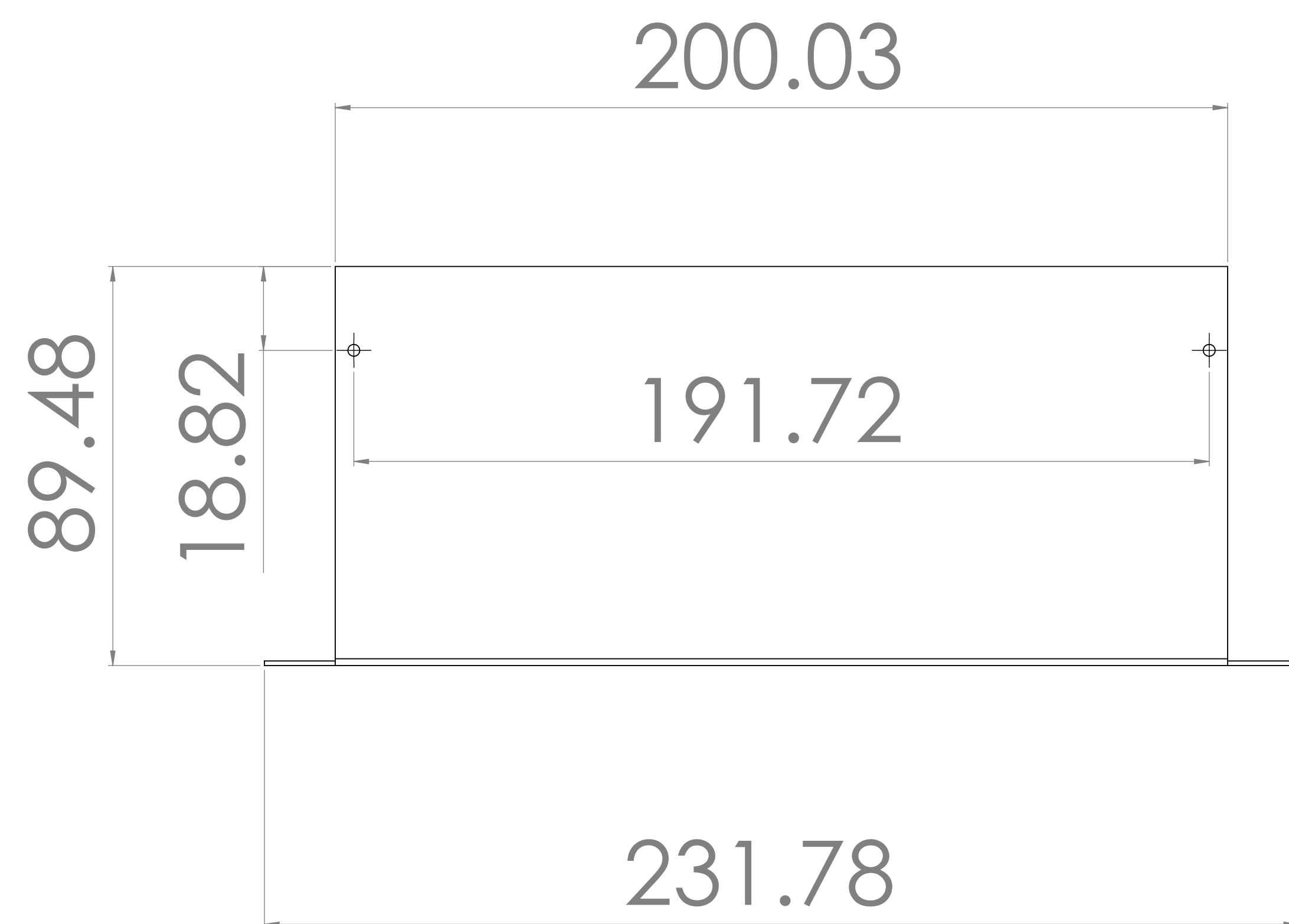
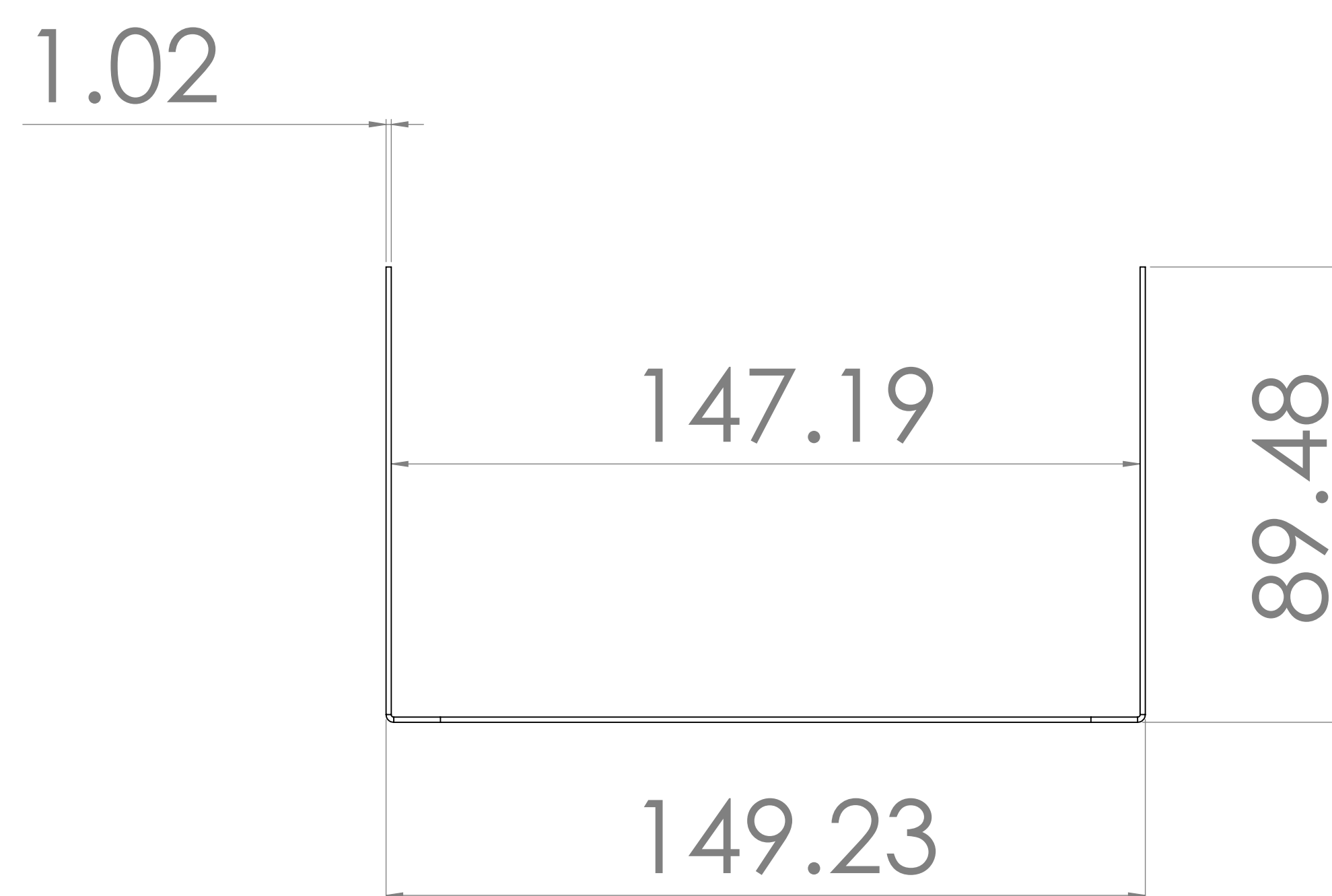
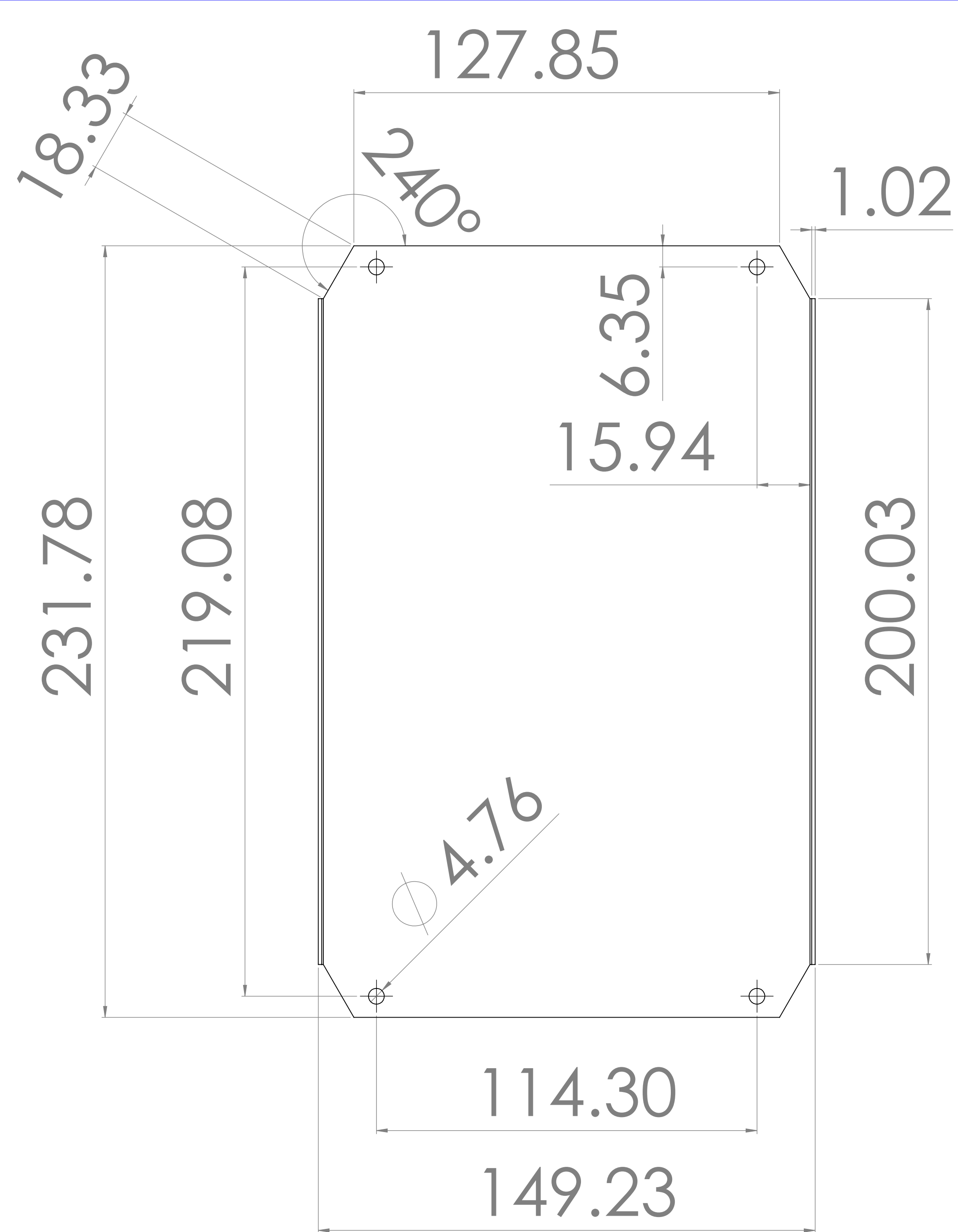


NOTE:-
 Enclosures can be Factory Modified (Milling, Drilling, Printing etc)
 Contact www.Pincore.in for Quotes
 Solid models of this enclosure available in STL or IIGES

| PRODUCT ID | ORDER NO. |
|--|-----------|
| PRODUCT NAME | |
| TYPE OF PRODUCT | |
| MATERIAL | |
| FINISHING | |
| ACCESSORIES | |
| www.Pincore.in | |



pincore technologies
india pvt. ltd.



NOTE:-
 Enclosures can be Factory Modified (Milling, Drilling, Printing etc)
 Contact www.Pincore.in for Quotes
 Solid models of this enclosure available in STL or IIGES

| PRODUCT ID | ORDER NO. |
|--|-----------|
| PRODUCT NAME | |
| TYPE OF PRODUCT | |
| MATERIAL | |
| FINISHING | |
| ACCESSORIES | |
| www.Pincore.in | |



pincore technologies
india pvt. ltd.