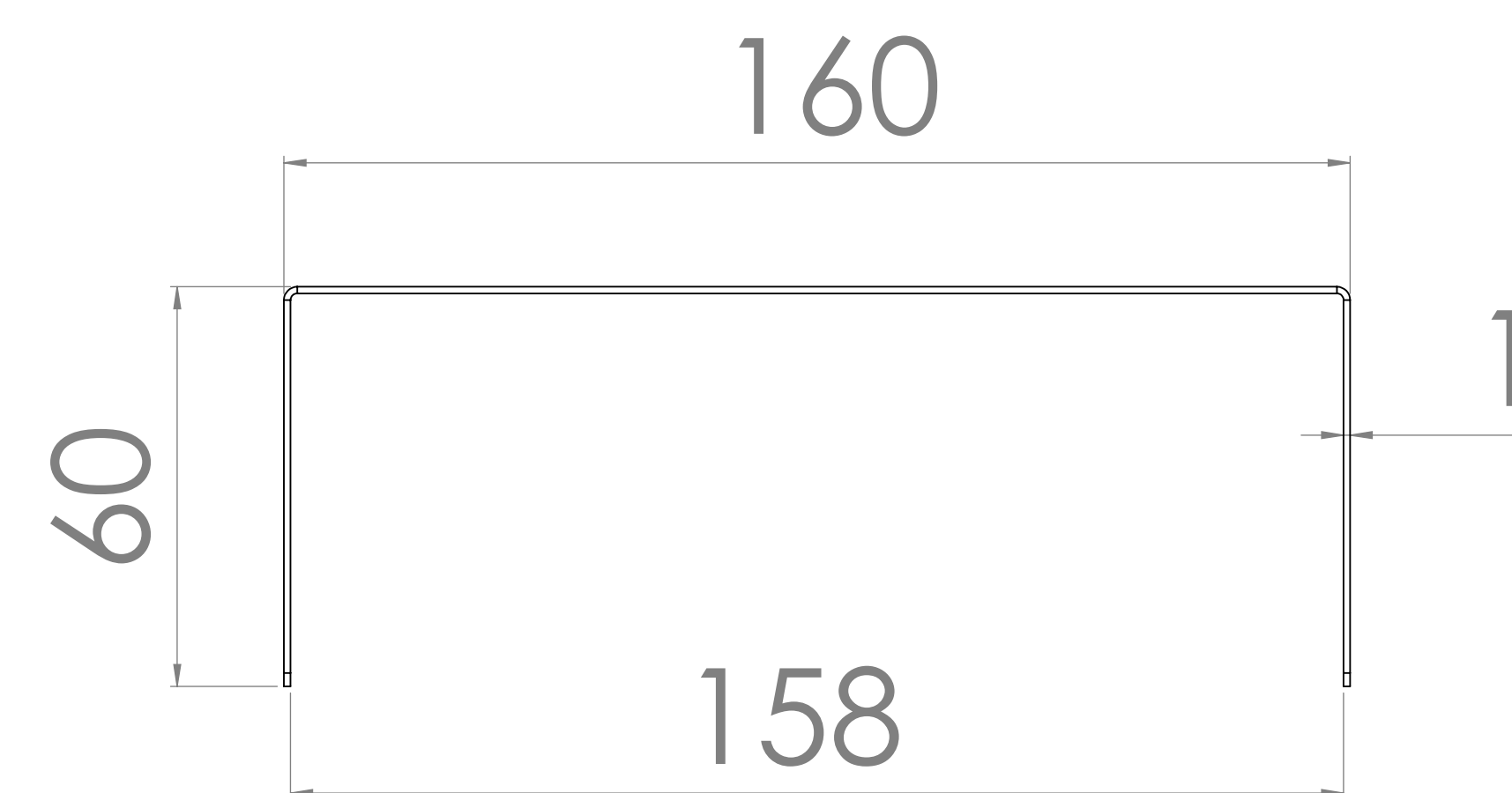
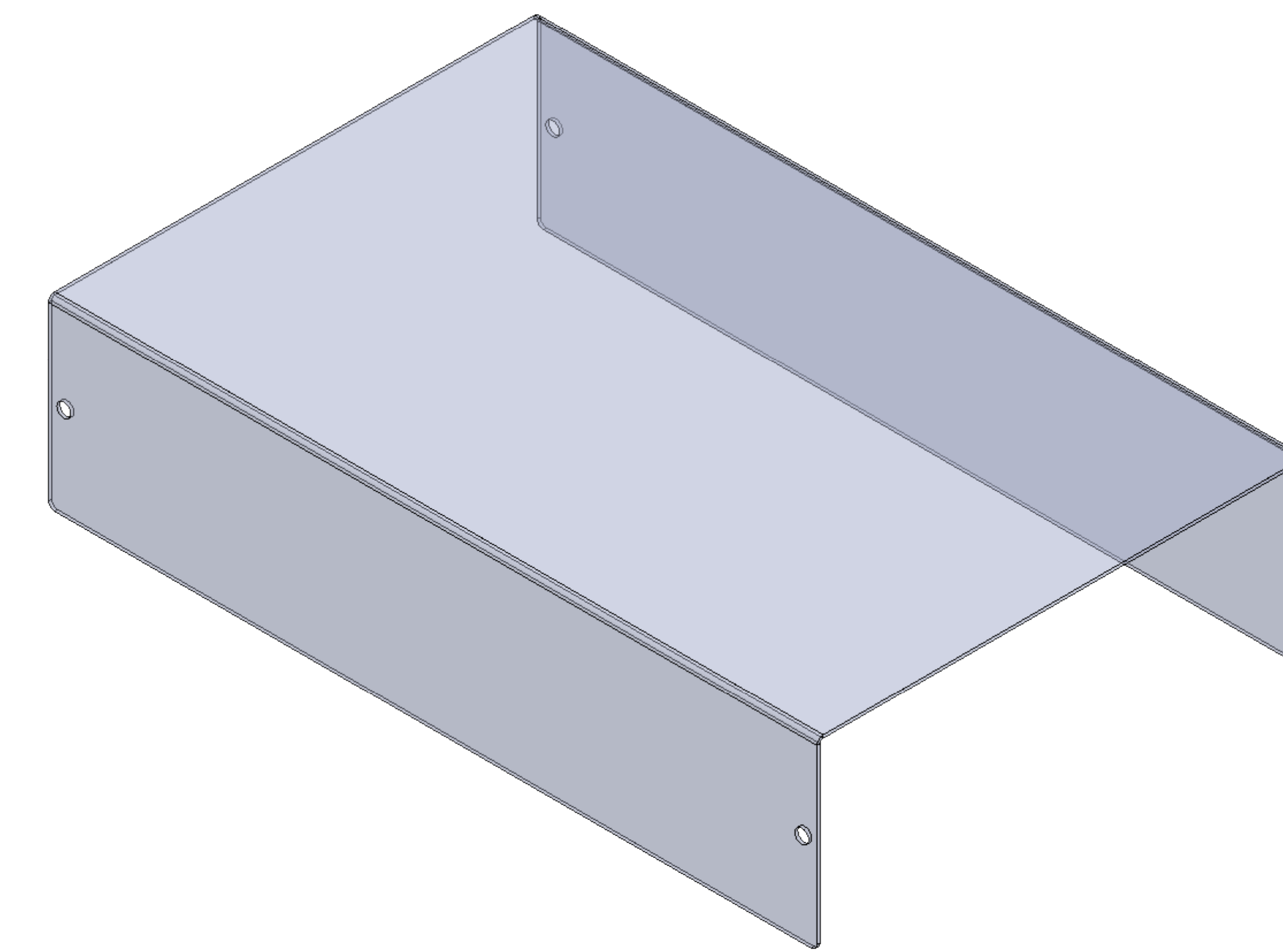
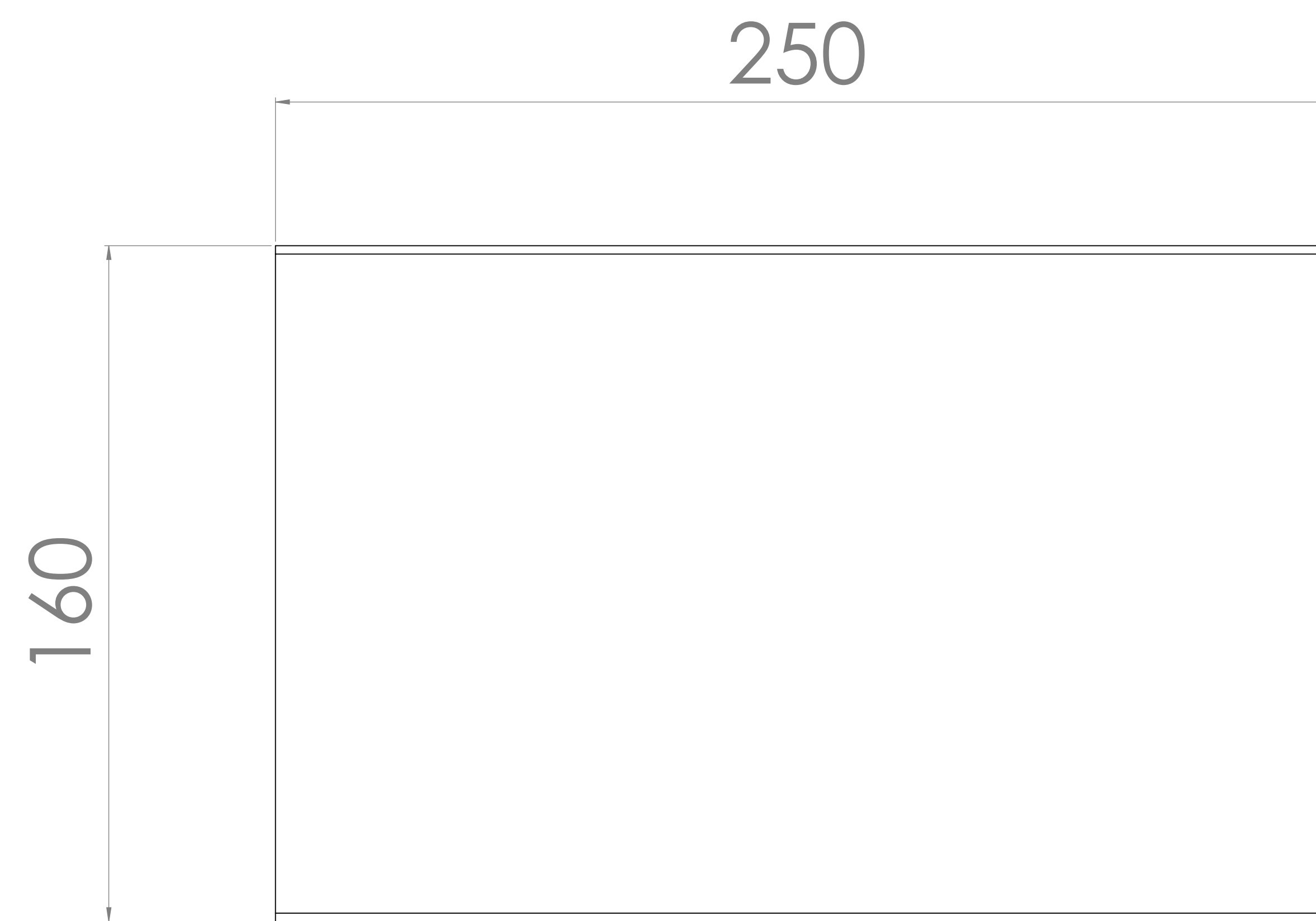


NOTE:-  
 Enclosures can be Factory Modified (Milling, Drilling, Printing etc)  
 Contact [www.Pincore.in](http://www.Pincore.in) for Quotes  
 Solid models of this enclosure available in STL or IIGES

PRODUCT ID	ORDER NO.
PRODUCT NAME	
TYPE OF PRODUCT	
MATERIAL	
FINISHING	
ACCESSORIES	
<a href="http://www.Pincore.in">www.Pincore.in</a>	

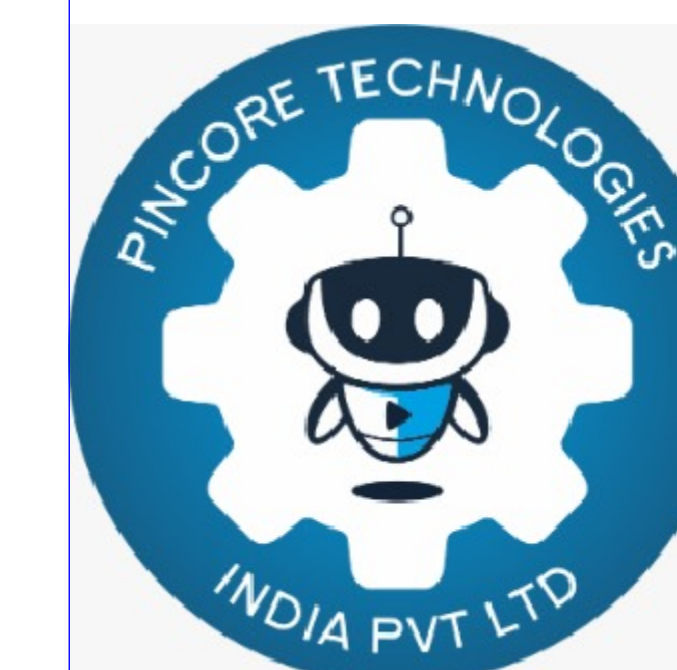


**pincore technologies**  
**india pvt. ltd.**



NOTE:-  
 Enclosures can be Factory Modified (Milling, Drilling, Printing etc)  
 Contact [www.Pincore.in](http://www.Pincore.in) for Quotes  
 Solid models of this enclosure available in STL or IIGES

PRODUCT ID	ORDER NO.
PRODUCT NAME	
TYPE OF PRODUCT	
MATERIAL	
FINISHING	
ACCESSORIES	
<a href="http://www.Pincore.in">www.Pincore.in</a>	



**pincore technologies**  
**india pvt. ltd.**